

WIRING		
MALE		MALE
PIN #		PIN #
1	WHITE w/ORANGE	1
2	WHITE w/GREEN	2
3	ORANGE	3
4	GREEN	4

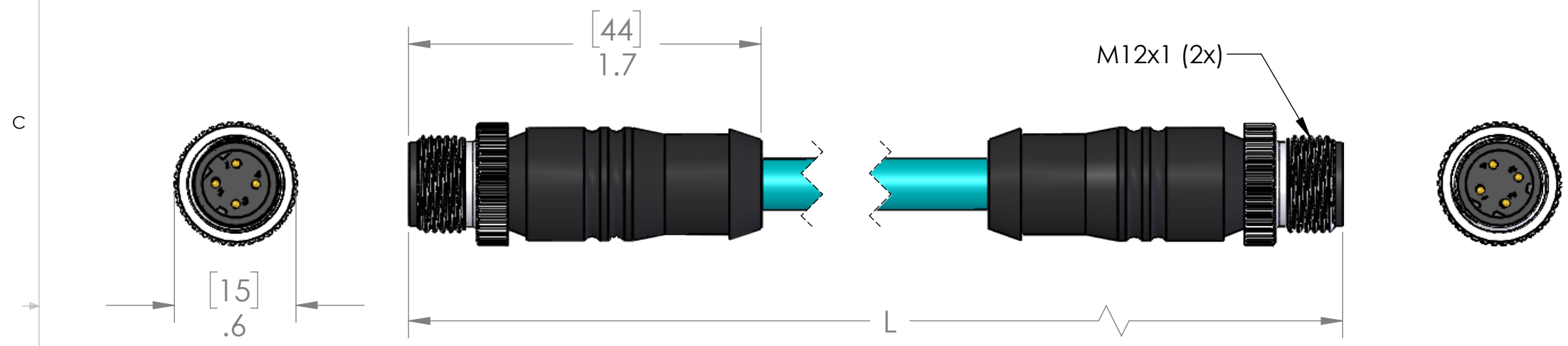


TABLE A		
P/N	L	STD?
MDE45PB-4MMP-0.5M	20" [0.5m]	NO
MDE45PB-4MMP-1M	40" [1m]	YES
MDE45PB-4MMP-1.5M	59" [1.5m]	NO
MDE45PB-4MMP-2M	79" [2m]	YES
MDE45PB-4MMP-3M	118" [3m]	NO
MDE45PB-4MMP-4M	157" [4m]	NO
MDE45PB-4MMP-5M	197" [5m]	YES
MDE45PB-4MMP-6M	236" [6m]	NO
MDE45PB-4MMP-8M	315" [8m]	NO
MDE45PB-4MMP-10M	393" [10m]	YES
MDE45PB-4MMP-15M	590" [15m]	YES
MDE45PB-4MMP-20M	786" [20m]	NO

PARTS LISTED AS NOT BEING STANDARD
MAY HAVE MINIMUM ORDER QUANTITIES

MATERIALS	
BODY:	BLACK PUR
CONTACTS:	GOLD PLATED COPPER ALLOY
CABLE:	
STYLE:	AWM CAT 5e
AWG:	24 AWG
JACKET:	TEAL PUR
VOLTAGE:	600V
SHIELD:	BRAIDED
COUPLING:	NICKEL PLATED BRASS
INSERT:	POLYAMIDE
O-RING:	N/A
RATINGS	
PROTECTION CLASS:	IEC IP69

PROPRIETARY AND CONFIDENTIAL
THE INFORMATION CONTAINED IN THIS DRAWING IS THE SOLE PROPERTY OF MENCOM CORPORATION. ANY REPRODUCTION IN PART OR AS A WHOLE WITHOUT THE WRITTEN PERMISSION OF MENCOM CORPORATION IS PROHIBITED.

VOLTS	300V
AMPS	4A
TEMP:	80°C

UNLESS OTHERWISE SPECIFIED: DIMENSIONS ARE IN INCHES AND [MM]	DRAWN BY	ADM
	DRAWN DATE	08/22/2023
	CHECKED BY	JJH
	CHECK DATE	08/24/2023
COMMENTS:		
MATERIAL		
FINISH		
DO NOT SCALE DRAWING		

MENCOM CORPORATION		
TITLE:		
SIZE	DWG. NO.	REV
B	MDE45PB-4MMP-ZZ	B
SCALE: 3:2	WEIGHT:	SHEET 1 OF 1