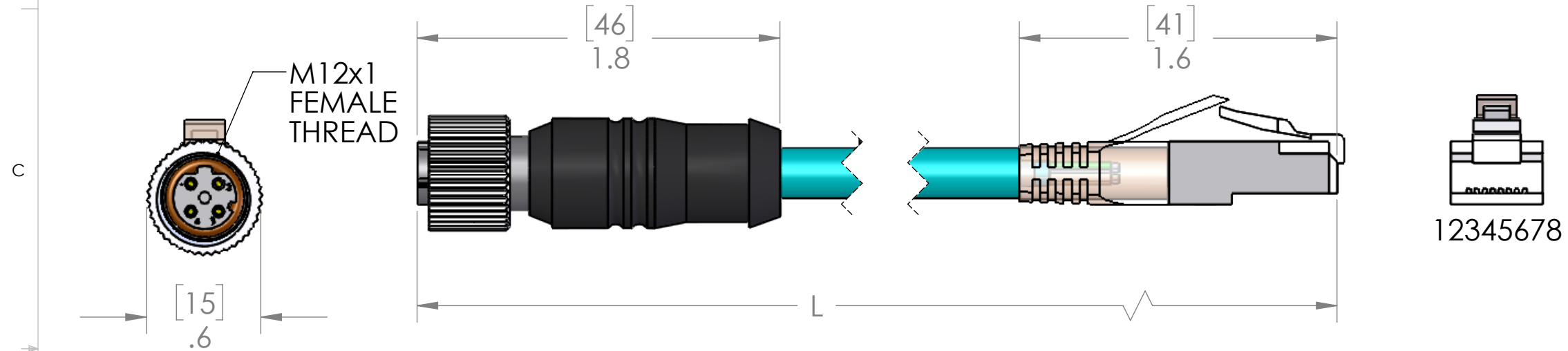


MDC		RJ45
PIN #	COLOR	PIN #
1	WHITE w/ORANGE	1
2	WHITE w/GREEN	3
3	ORANGE	2
4	GREEN	6
N/A	FOIL/BRAID	SHELL



P/N	L	STD?
MDE45PB-4FP-RJ45-0.5M	20" [0.5m]	NO
MDE45PB-4FP-RJ45-1M	40" [1m]	YES
MDE45PB-4FP-RJ45-1.5M	59" [1.5m]	NO
MDE45PB-4FP-RJ45-2M	79" [2m]	YES
MDE45PB-4FP-RJ45-3M	118" [3m]	NO
MDE45PB-4FP-RJ45-4M	157" [4m]	NO
MDE45PB-4FP-RJ45-5M	197" [5m]	YES
MDE45PB-4FP-RJ45-6M	236" [6m]	NO
MDE45PB-4FP-RJ45-8M	315" [8m]	NO
MDE45PB-4FP-RJ45-10M	393" [10m]	YES
MDE45PB-4FP-RJ45-15M	590" [15m]	YES
MDE45PB-4FP-RJ45-20M	786" [20m]	NO

PARTS LISTED AS NOT BEING STANDARD MAY HAVE MINIMUM ORDER QUANTITIES

BRAIDED SHIELD ATTACHED TO METAL SHIELD ON RJ45 CONNECTOR ONLY. NOT CONNECTED TO THE COUPLING NUT ON THE M12 CONNECTOR.

MATERIALS	
BODY:	BLACK PUR
CONTACTS:	GOLD PLATED COPPER ALLOY
CABLE:	
STYLE:	AWM CAT 5e
AWG:	24 AWG
JACKET:	TEAL PUR
VOLTAGE:	600V
SHIELD:	BRAIDED
COUPLING:	NICKEL PLATED BRASS
INSERT:	POLYAMIDE
O-RING:	FPM
APPROVALS	
US:	UL LISTED
CANADA:	C-UL LISTED
ROHS:	YES
CE & UKCA:	YES
RATINGS	
PROTECTION CLASS:	IEC IP69

PROPRIETARY AND CONFIDENTIAL
 THE INFORMATION CONTAINED IN THIS DRAWING IS THE SOLE PROPERTY OF MENCOM CORPORATION. ANY REPRODUCTION IN PART OR AS A WHOLE WITHOUT THE WRITTEN PERMISSION OF MENCOM CORPORATION IS PROHIBITED.

VOLTS	42VDC
AMPS	1.5A
TEMP:	80°C

UNLESS OTHERWISE SPECIFIED:	DRAWN BY	JJH
DIMENSIONS ARE IN INCHES AND [MM]	DRAWN DATE	08/24/2023
	CHECKED BY	JJH
	CHECK DATE	08/25/2023
MATERIAL	COMMENTS:	
FINISH		
DO NOT SCALE DRAWING		

MENCOM CORPORATION		
TITLE:		
SIZE	DWG. NO.	REV
B	MDE45PB-4FP-RJ45-ZZ	D
SCALE: 3:2	WEIGHT:	SHEET 1 OF 2

SPECIFICATIONS:	
CABLE JACKET MATERIAL:	POLYURETHANE (TYPE 350B), TEAL,
CABLE DIAMETER:	OVERALL CABLE DIAMETER .236" [6.1mm] , .246"[6.25mm] MAX.
COND. JACKET MATERIAL:	POLYOLEFIN,
COND. JACKET THICKNESS:	.010" [.254mm] NOM. WALL THICKNESS (RJ45 plug compatible)
COND. STRANDING:	24 AWG 7/34 STRANDED TINNED COPPER
PAIRING:	Grn x Wht/Grn + Org x Wht/Org
SHIELD:	AN OVERALL ALUMINIZED POLYESTER FOIL SHIELD (FOIL OUT, 100%COVERAGE) SHALL BE APPLIED OVER THE CABLE CORE AND SHALL CONTAIN A 26 AWG 7/34 STRANDED TINNED COPPER DRAIN WIRE IN CONTACT WITH THE METALIZED SURFACE. A SECOND SHIELD OF 38AWG TINNED COPPER BRAID (85% MINIMUM COVERAGE), SHALL BE APPLIED OVER THE FOIL SHIELD.
WEIGHT:	Nom: 28.6#/Mft [42.6Kg/Km]
ELECTRICAL REQUIREMENTS:	for 100m of cable
CAT 5e	
CAPACITANCE, MUTUAL	13.5 PF/FT. AT 1 MHZ
DIELECTRIC WITHSTANDING, MIN	1500V RMS
VOLTAGE RATING, MAX.	300V
D.C. RESISTANCE, MAX.	42.6 Ω/1000'
IMPEDANCE,	100 +/- 15 Ω 1-100 MHZ
IMPEDANCE, SMOOTHED	100 +/- 10 Ω TYPICAL 5 - 100 MHZ
SRL	23 DB 1-20 MHZ
	23 - 10 LOG(F/20) 20-100 MHZ
RETURN LOSS	1 - 10 MHZ 20 + 5 LOG (F) DB MIN
	10 - 20 MHZ 25 DB MIN
	20 - 100 MHZ 25- 8.6 LOG(F/20) DB MIN
PS NEXT	1-100 MHZ 64 - 15 LOG (F/.772) MIN
NEXT	1-100 MHZ 67 - 15 LOG (F/.772) MIN
PS ELFEXT	1-100 MHZ 63 - 20 LOG(F/.772) MIN
ELFEXT	1-100 MHZ 66 - 20 LOG(F/.772) MIN
ATTENUATION	1-100 MHZ 1.5[1.967 SQRT(F) +.023(F) +.05/SQRT(F)]MAX
DELAY	1-100 MHZ 534 + 36/SQRT(F)
DELAY SKEW	1-100 MHZ <25NS
LCL	1-100 MHZ -38dB MIN
VELOCITY OF PROPAGATION	68%
MECHANICAL REQUIREMENTS:	
EXTRUSION STYLE:	PRESSURE EXTRUSION
CONVOLUTIONS:	NONE ALLOWED. LEVEL 2 SMOOTH

DRAWN BY	JJH	MENCOM CORPORATION	
DRAWN DATE	08/24/2023		
CHECKED BY	JJH		
CHECK DATE	08/25/2023		
COMMENTS:		TITLE:	
SIZE	DWG. NO.	REV	
B	MDE45PB-4FP-RJ45-ZZ	D	
SCALE: 3:2	WEIGHT:	SHEET 2 OF 2	