

PIN #	COLOR
1	WHITE / BLUE
2	WHITE / BROWN
3	BROWN
4	ORANGE
5	WHITE / GREEN
6	WHITE / ORANGE
7	BLUE
8	GREEN

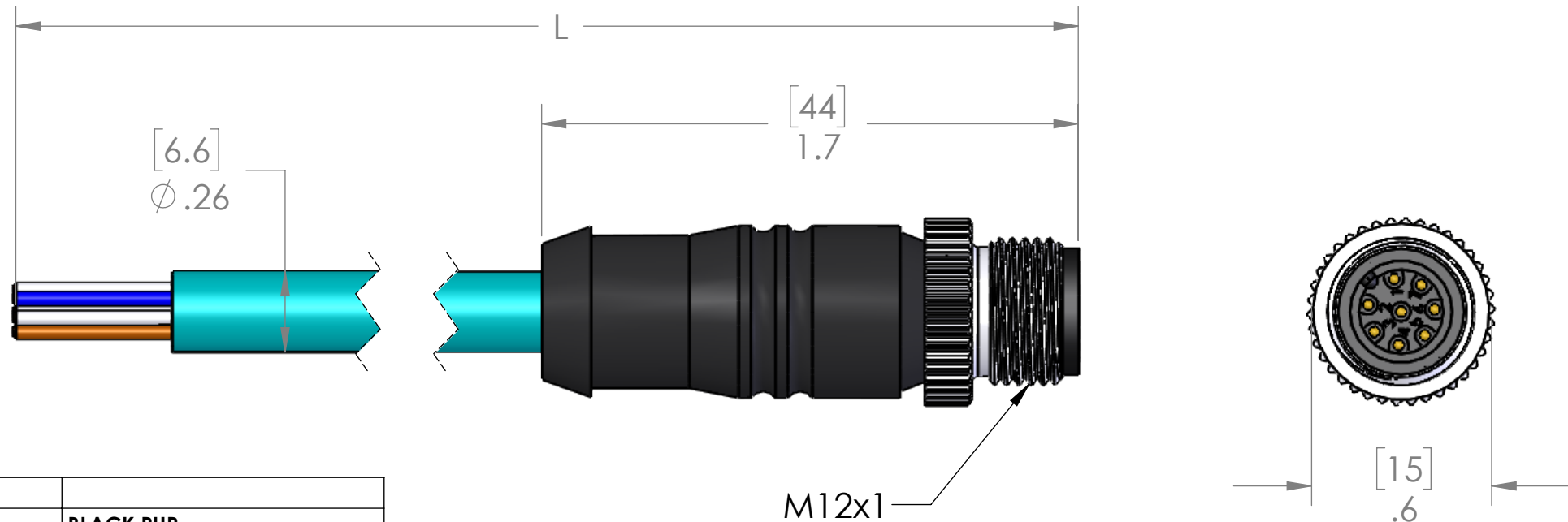


TABLE A		
P/N	L	STD
MDE45P-8MP-1M	40" [1M]	YES
MDE45P-8MP-2M	79" [2M]	YES
MDE45P-8MP-3M	118" [3M]	NO
MDE45P-8MP-4M	157" [4M]	NO
MDE45P-8MP-5M	197" [5M]	YES
MDE45P-8MP-6M	236" [6M]	NO
MDE45P-8MP-8M	315" [8M]	NO
MDE45P-8MP-10M	393" [10M]	YES
MDE45P-8MP-12M	472" [12M]	NO
MDE45P-8MP-15M	591" [15m]	YES

FOR CABLE RATINGS, INCLUDING FLEX LIFE  
SEE DRAWING 60GP001-ZZ

CABLE LISTED AS NOT BEING STANDARD  
MAY REQUIRE MINIMUM ORDER QUANTITIES

<b>MATERIALS</b>	
BODY:	BLACK PUR
CONTACTS:	GOLD PLATED COPPER ALLOY
CABLE:	
STYLE:	AWM CAT 5e
AWG:	24 AWG
JACKET:	TEAL PUR
VOLTAGE:	600V
SHIELD:	NO
COUPLING:	NICKEL PLATED BRASS
INSERT:	POLYAMIDE
O-RING:	N/A
<b>APPROVALS</b>	
US:	UL LISTED
CANADA:	C-UL LISTED
ROHS:	YES
CE & UKCA:	YES
<b>RATINGS</b>	
PROTECTION CLASS:	IEC IP69

**PROPRIETARY AND CONFIDENTIAL**  
THE INFORMATION CONTAINED IN THIS DRAWING IS THE SOLE PROPERTY OF MENCOM CORPORATION. ANY REPRODUCTION IN PART OR AS A WHOLE WITHOUT THE WRITTEN PERMISSION OF MENCOM CORPORATION IS PROHIBITED.

VOLTS	60V
AMPS	2A
TEMP:	80°C

UNLESS OTHERWISE SPECIFIED:	DRAWN BY	ADM
DIMENSIONS ARE IN INCHES AND [MM]	DRAWN DATE	08/23/2023
	CHECKED BY	JJH
	CHECK DATE	08/24/2023
MATERIAL	COMMENTS:	
FINISH		
DO NOT SCALE DRAWING		

MENCOM CORPORATION		
TITLE:		
SIZE	DWG. NO.	REV
<b>B</b>	MDE45P-8MP-ZZ	<b>E</b>
SCALE: 2:1	WEIGHT:	SHEET 1 OF 1