

PIN #	COLOR
1	WHITE / BLUE
2	WHITE / BROWN
3	BROWN
4	ORANGE
5	WHITE / GREEN
6	WHITE / ORANGE
7	BLUE
8	GREEN

M12x1
FEMALE
THREAD

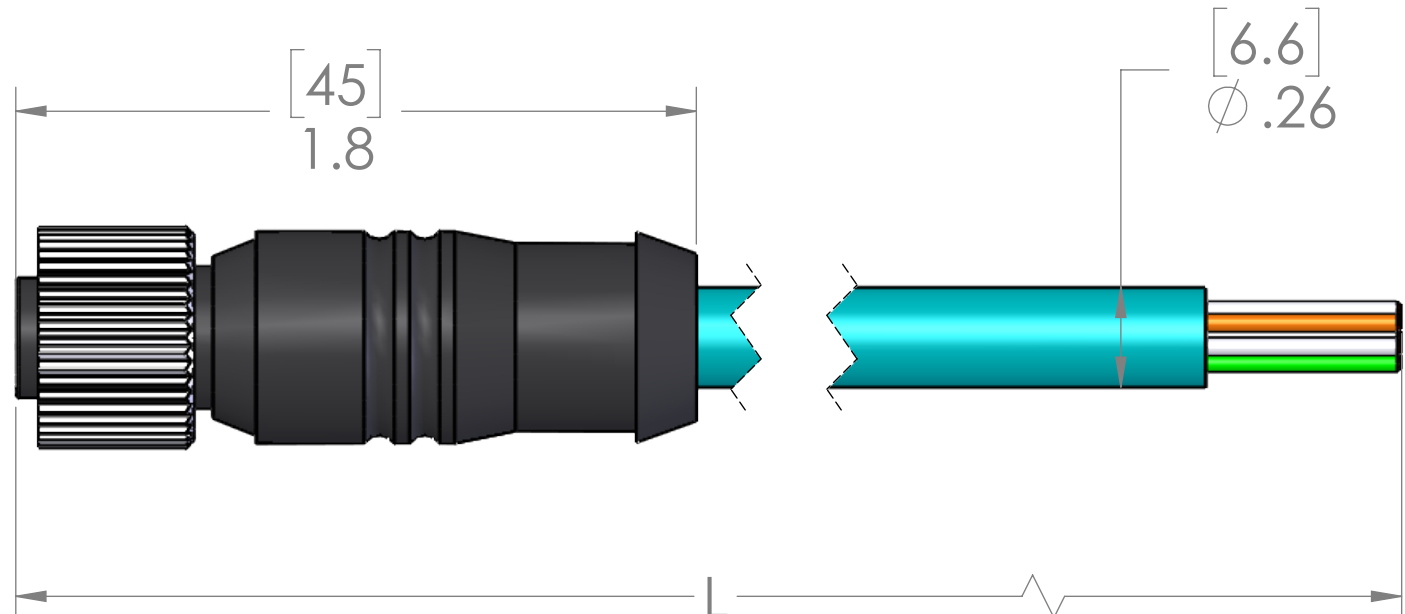


TABLE A		
P/N	L	STD?
MDE45P-8FP-1M	40" [1M]	YES
MDE45P-8FP-2M	79" [2M]	YES
MDE45P-8FP-3M	118" [3M]	NO
MDE45P-8FP-4M	157" [4M]	NO
MDE45P-8FP-5M	197" [5M]	YES
MDE45P-8FP-6M	236" [6M]	NO
MDE45P-8FP-8M	315" [8M]	NO
MDE45P-8FP-10M	393" [10M]	YES
MDE45P-8FP-15M	590" [15M]	YES
MDE45P-8FP-20M	786" [20M]	NO
MDE45P-8FP-25M	983" [25M]	NO
MDE45P-8FP-30M	1179" [30M]	NO

PARTS LISTED AS NOT BEING STANDARD
MAY REQUIRE MINIMUM ORDERS

MATERIALS	
BODY:	BLACK PUR
CONTACTS:	GOLD PLATED COPPER ALLOY
CABLE:	
STYLE:	AWM CAT 5e
AWG:	24 AWG
JACKET:	TEAL PUR
VOLTAGE:	600V
SHIELD:	NO
COUPLING:	NICKEL PLATED BRASS
INSERT:	POLYAMIDE
O-RING:	FPM
APPROVALS	
US:	UL LISTED
CANADA:	C-UL LISTED
ROHS:	YES
CE & UKCA:	YES
RATINGS	
PROTECTION CLASS:	IEC IP69

PROPRIETARY AND CONFIDENTIAL
THE INFORMATION CONTAINED IN THIS DRAWING IS THE SOLE PROPERTY OF MENCOM CORPORATION. ANY REPRODUCTION IN PART OR AS A WHOLE WITHOUT THE WRITTEN PERMISSION OF MENCOM CORPORATION IS PROHIBITED.

VOLTS	60V
AMPS	2A
TEMP:	80°C

UNLESS OTHERWISE SPECIFIED:	DRAWN BY	ADM
DIMENSIONS ARE IN INCHES AND [MM]	DRAWN DATE	08/18/2023
	CHECKED BY	JJH
	CHECK DATE	08/21/2023
	COMMENTS:	
MATERIAL		
FINISH		
DO NOT SCALE DRAWING		

MENCOM CORPORATION		
TITLE: 8 PL FEM ETHERNET PLG, PUR		
SIZE	DWG. NO.	REV
B	MDE45P-8FP-ZZ	B
SCALE: 2:1	WEIGHT:	SHEET 1 OF 1