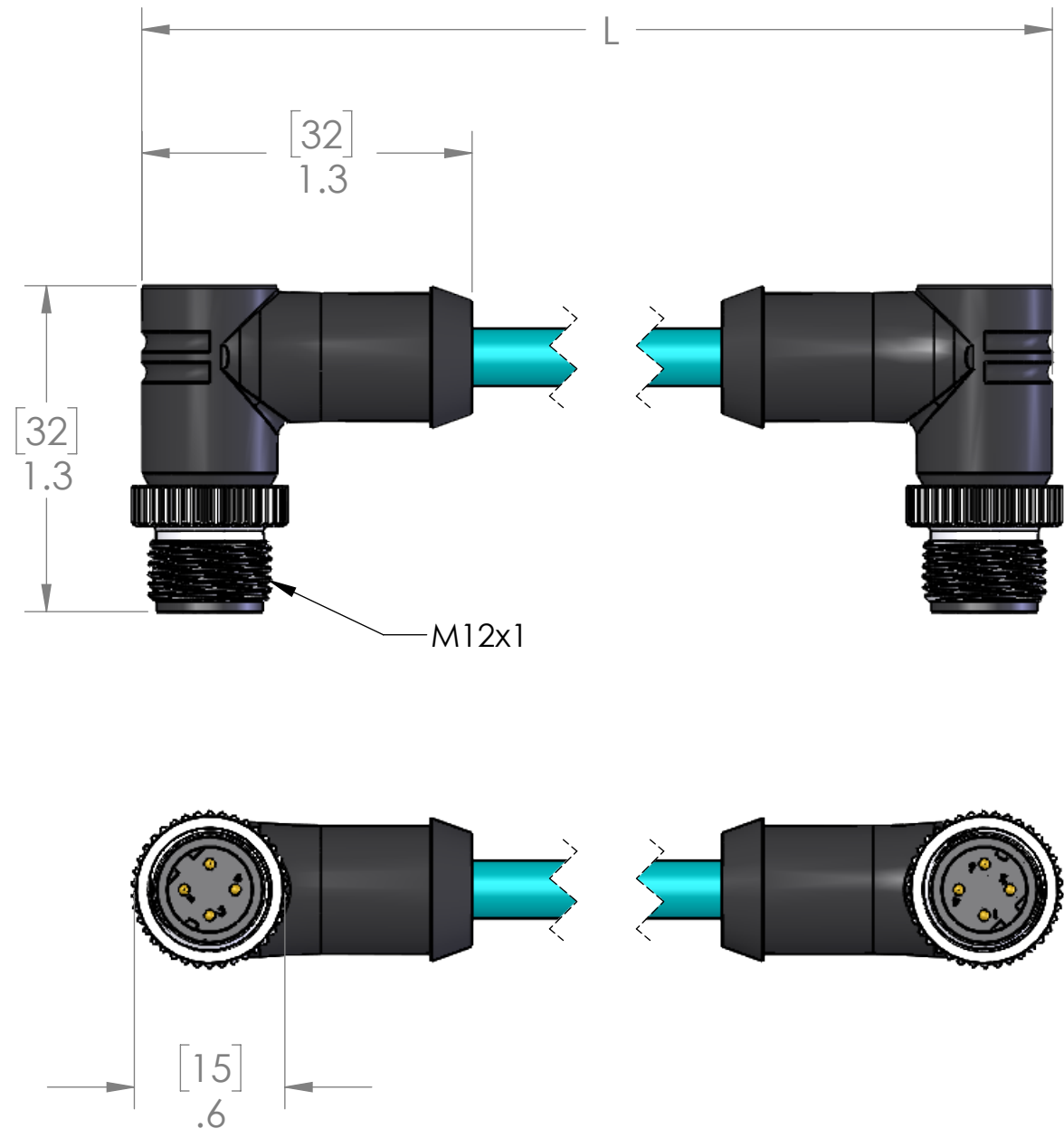


| MALE | | FEMALE |
|-------|----------------|--------|
| PIN # | Wiring | PIN # |
| 1 | WHITE w/ORANGE | 1 |
| 2 | WHITE w/GREEN | 2 |
| 3 | ORANGE | 3 |
| 4 | GREEN | 4 |



| P/N | L | STD? |
|--------------------|------------|------|
| MDE45P-4MMP-0.5M-R | 20" [0.5m] | NO |
| MDE45P-4MMP-1M-R | 40" [1m] | YES |
| MDE45P-4MMP-1.5M-R | 59" [1.5m] | NO |
| MDE45P-4MMP-2M-R | 79" [2m] | YES |
| MDE45P-4MMP-3M-R | 118" [3m] | NO |
| MDE45P-4MMP-4M-R | 157" [4m] | NO |
| MDE45P-4MMP-5M-R | 197" [5m] | YES |
| MDE45P-4MMP-6M-R | 236" [6m] | NO |
| MDE45P-4MMP-8M-R | 315" [8m] | NO |
| MDE45P-4MMP-10M-R | 393" [10m] | YES |
| MDE45P-4MMP-15M-R | 590" [15m] | YES |
| MDE45P-4MMP-20M-R | 786" [20m] | NO |

| | |
|-------------------|--------------------------|
| MATERIALS | |
| BODY: | BLACK PUR |
| CONTACTS: | GOLD PLATED COPPER ALLOY |
| CABLE: | |
| STYLE: | AWM CAT 5e |
| AWG: | 24 AWG |
| JACKET: | TEAL PUR |
| VOLTAGE: | 600V |
| SHIELD: | NO |
| COUPLING: | NICKEL PLATED BRASS |
| INSERT: | POLYAMIDE |
| O-RING: | N/A |
| RATINGS | |
| PROTECTION CLASS: | IEC IP69 |

PROPRIETARY AND CONFIDENTIAL
 THE INFORMATION CONTAINED IN THIS DRAWING IS THE SOLE PROPERTY OF MENCOM CORPORATION. ANY REPRODUCTION IN PART OR AS A WHOLE WITHOUT THE WRITTEN PERMISSION OF MENCOM CORPORATION IS PROHIBITED.

| | |
|-------|------|
| VOLTS | 300V |
| AMPS | 4A |
| TEMP: | 80°C |

| | | |
|--|------------|------------|
| UNLESS OTHERWISE SPECIFIED: DIMENSIONS ARE IN INCHES AND [MM] | DRAWN BY | ADM |
| | DRAWN DATE | 08/21/2023 |
| | CHECKED BY | JJH |
| | CHECK DATE | 08/22/2023 |
| COMMENTS: | | |
| MATERIAL | | |
| FINISH | | |
| DO NOT SCALE DRAWING | | |

PARTS LISTED AS NOT BEING STANDARD
 MAY HAVE MINIMUM ORDER QUANTITIES

| | | |
|--------------------------------|------------------|--------------|
| MENCOM CORPORATION | | |
| TITLE: 4 PL M-M EXT CBL R/A | | |
| SIZE | DWG. NO. | REV |
| B | MDE45P-4MMP-ZZ-R | B |
| SCALE: 1:1 | WEIGHT: | SHEET 1 OF 1 |