

PIN #	COLOR
1	WHITE w/ORANGE
2	WHITE w/GREEN
3	ORANGE
4	GREEN

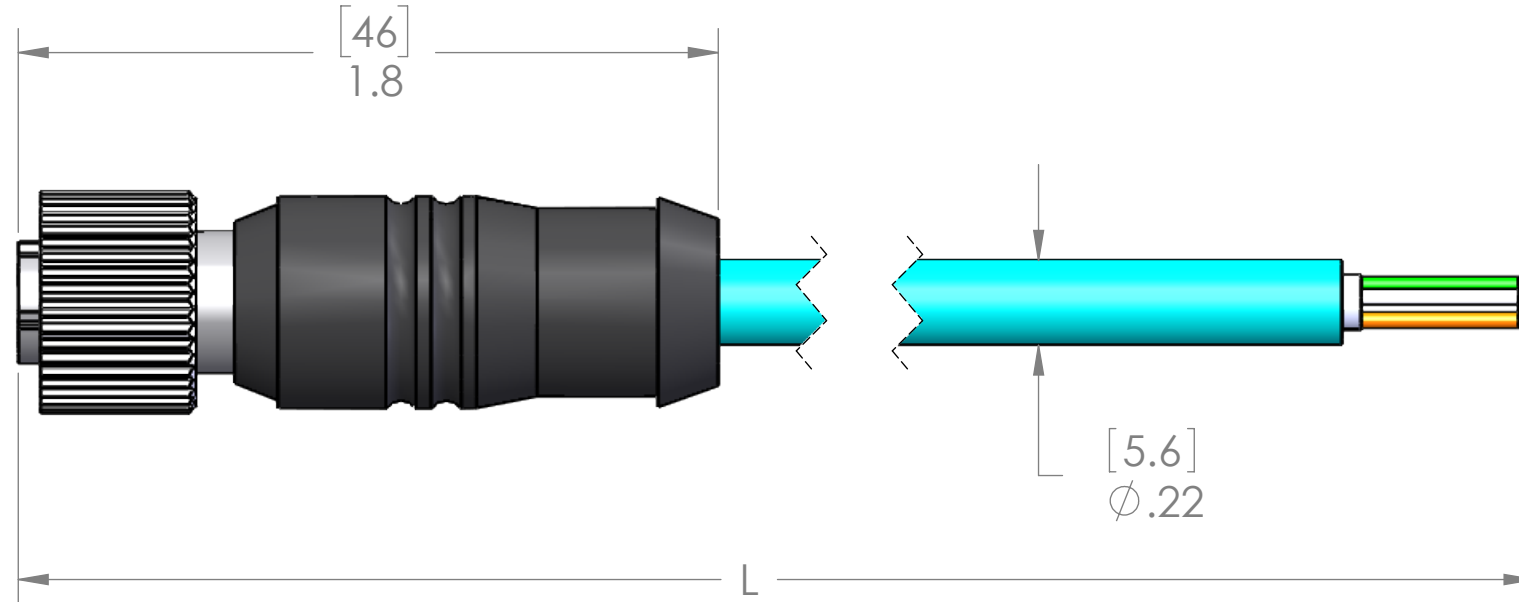
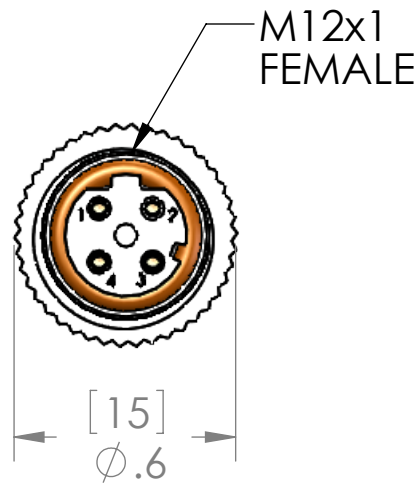


TABLE A		
P/N	L	STD?
MDE45P-4FP-1M	40" [1m]	NO
MDE45P-4FP-2M	79" [2m]	YES
MDE45P-4FP-3M	118" [3m]	NO
MDE45P-4FP-4M	157" [4m]	YES
MDE45P-4FP-5M	197" [5m]	YES
MDE45P-4FP-6M	236" [6m]	NO
MDE45P-4FP-8M	315" [8m]	NO
MDE45P-4FP-10M	393" [10m]	YES
MDE45P-4FP-15M	590" [15m]	YES
MDE45P-4FP-20M	786" [20m]	NO
MDE45P-4FP-25M	983" [25m]	NO
MDE45P-4FP-30M	1179" [30m]	NO

PARTS LISTED AS NOT BEING STANDARD  
MAY HAVE MINIMUM ORDER QUANTITIES

B MATERIALS	
BODY:	BLACK PUR
CONTACTS:	GOLD PLATED COPPER ALLOY
CABLE:	
STYLE:	AWM CAT 5e
AWG:	24 AWG
JACKET:	TEAL PUR
VOLTAGE:	600V
SHIELD:	NO
COUPLING:	NICKEL PLATED BRASS
INSERT:	POLYAMIDE
O-RING:	FPM
A APPROVALS	
US:	UL LISTED
CANADA:	C-UL LISTED
ROHS:	YES
CE & UKCA:	YES
RATINGS	
PROTECTION CLASS:	IEC IP69

**PROPRIETARY AND CONFIDENTIAL**  
THE INFORMATION CONTAINED IN THIS DRAWING IS THE SOLE PROPERTY OF MENCOM CORPORATION. ANY REPRODUCTION IN PART OR AS A WHOLE WITHOUT THE WRITTEN PERMISSION OF MENCOM CORPORATION IS PROHIBITED.

VOLTS	300V
AMPS	4A
TEMP:	80°C

UNLESS OTHERWISE SPECIFIED:	DRAWN BY	ADM
DIMENSIONS ARE IN INCHES AND [MM]	DRAWN DATE	08/23/2023
	CHECKED BY	JJH
	CHECK DATE	08/23/2023
MATERIAL	COMMENTS:	
FINISH		
DO NOT SCALE DRAWING		

MENCOM CORPORATION		
TITLE: 4 PL D-CODED PUR FEM PLUG		
SIZE	DWG. NO.	REV
<b>B</b>	MDE45P-4FP-ZZ	<b>B</b>
SCALE: 2:1	WEIGHT:	SHEET 1 OF 2

**CABLE CONSTRUCTION:**

CONDUCTOR: 24 AWG 7/32 TINNED COPPER  
 INSULATION: HIGH DENSITY POLYETHYLENE, .007" NOM. WALL THICKNESS  
 PAIRS: COLOR CODED SINGLES TWISTED INTO PAIRS  
 CABLE: (2) TWISTED PAIRS TWISTED TOGETHER AND WRAPPED IN  
 A CLEAR POLYESTER TAPE TO FORM CABLE CORE  
 JACKET: POLYURETHANE, TEAL, .020" NOM. WALL THICKNESS  
 OVERALL CABLE DIAMETER 0.220" MAX.

**PHYSICAL PROPERTIES:**

TEMP RATING, MAX: 75°C  
 TEMP RATING, MIN: -40°C  
 WT./MFT (NOM.) 14.4LBS  
 UV RESISTANT JACKET

**COLOR CODE:**

WHITE/GREEN x GREEN  
 WHITE/ORANGE x ORANGE

**ELECTRICAL CHARACTERISTICS (FOR 100m OF CABLE):**

CAPACITANCE, MUTUAL: 13.5PF/FT AT 1 MHz  
 DIELECTRIC WITHSTANDING, MIN: 1500V RMS  
 VOLTAGE RATING, MAX. 300V  
 DC RESISTANCE, MAX. 26.0 OHMS  
 IMPEDENCE 100 +/- 15 OHMS 1-100MHz  
 100 +/- 20 OHMS 100 - 350MHz  
 SRL 23 DB 1-20MHz  
 23 - 10 LOG(F/20) 20-100MHz  
 RETURN LOSS 1 - 10MHz 20 + 5 LOG(F) DB MIN  
 10 - 20MHz 25 DB MIN  
 20 - 100MHz 25 - 8.6 LOG(F/20) DB MIN  
 PS NEXT 1 - 100 MHz 71 - 15 LOG(F/.722) MIN  
 NEXT 1 - 100 MHz 73 - 15 LOG(F/.772) MIN  
 PS ELFEXT 1 - 100MHz 67 - 20 LOG(F/.772) MIN  
 ELFEXT 1 - 100MHz 67 - 20 LOG(F/.772) MIN  
 DELAY 1 - 100MHz 534 + 36/SQRT(F)  
 DELAY SKEW 1 - 100 MHz <25NS  
 LCL 1 - 100 MHz -38dB MIN

**ATTENUATION:**

FREQUENCY	SPEC 70M OF CABLE (CAT 5e CHANNEL)	ATTENUATION PER METER
1.0	2.5	0.036
4.0	4.5	0.064
8.0	6.3	0.09
10.0	7.0	0.1
16.0	9.2	0.13
20.0	10.3	0.15
25.0	11.4	0.16
31.25	12.8	0.18
62.5	18.5	0.26
100.0	24.0	0.343

ALL TESTING DONE OFF THE REEL

DRAWN BY	ADM	<b>MENCOM CORPORATION</b>	
DRAWN DATE	08/23/2023		
CHECKED BY	JJH		
CHECK DATE	08/23/2023		
COMMENTS:		TITLE:	
SIZE	DWG. NO.	REV	
<b>B</b>	MDE45P-4FP-ZZ	<b>B</b>	
SCALE: 2:1	WEIGHT:	SHEET 2 OF 2	