

MDC		RJ45
PIN #	COLOR	PIN #
1	WHITE w/ORANGE	1
2	WHITE w/GREEN	3
3	ORANGE	2
4	GREEN	6

D

D

C

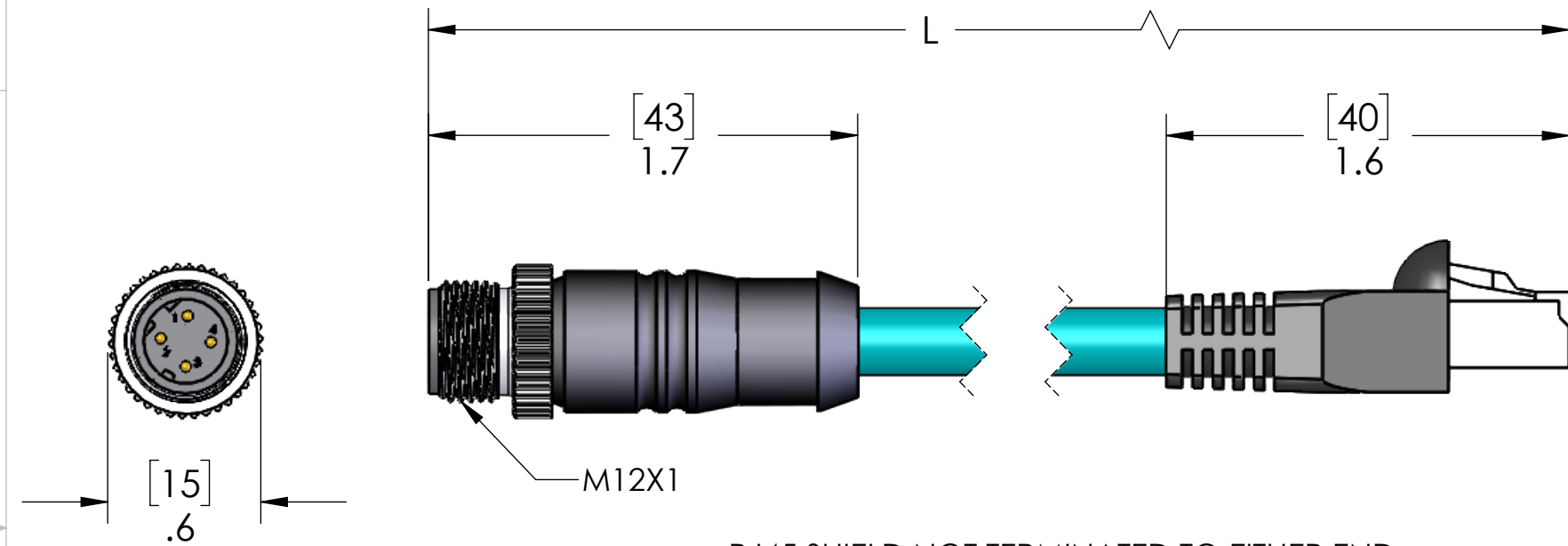
C

B

B

A

A



RJ45 SHIELD NOT TERMINATED TO EITHER END

MATERIALS	
BODY:	BLACKP PVC
CONTACTS:	GOLD PLATED COPPER ALLOY
CABLE:	
STYLE:	AWM CAT 5e
AWG:	24 AWG
JACKET:	TEAL PVC
VOLTAGE:	600V
SHIELD:	BRAIDED
COUPLING:	NICKEL PLATED BRASS
INSERT:	POLYAMIDE
O-RING:	N/A
APPROVALS	
US:	UL LISTED
CANADA:	C-UL LISTED
ROHS:	YES
CE & UKCA:	YES
RATINGS	
PROTECTION CLASS:	UL TYPE 4 & 12, IEC IP69

FOR CABLE RATINGS, INCLUDING BEND RADIUS
SEE DRAWING 60CS001-ZZ

PROPRIETARY AND CONFIDENTIAL
THE INFORMATION CONTAINED IN THIS DRAWING IS THE SOLE PROPERTY OF MENCOM CORPORATION. ANY REPRODUCTION IN PART OR AS A WHOLE WITHOUT THE WRITTEN PERMISSION OF MENCOM CORPORATION IS PROHIBITED.

VOLTS	42VDC
AMPS	1.5A
TEMP:	80°C

UNLESS OTHERWISE SPECIFIED:	DRAWN BY	JJH
DIMENSIONS ARE IN INCHES AND [MM]	DRAWN DATE	11/15/2023
	CHECKED BY	ADM
	CHECK DATE	11/15/2023
MATERIAL	COMMENTS:	
FINISH		
DO NOT SCALE DRAWING		

TABLE A		
P/N	L	STD?
MDE45B-4MP-RJ45-0.5M	20" [0.5m]	NO
MDE45B-4MP-RJ45-1M	40" [1m]	YES
MDE45B-4MP-RJ45-1.5M	59" [1.5m]	NO
MDE45B-4MP-RJ45-2M	79" [2m]	YES
MDE45B-4MP-RJ45-3M	118" [3m]	NO
MDE45B-4MP-RJ45-4M	157" [4m]	NO
MDE45B-4MP-RJ45-5M	197" [5m]	YES
MDE45B-4MP-RJ45-6M	236" [6m]	NO
MDE45B-4MP-RJ45-8M	315" [8m]	NO
MDE45B-4MP-RJ45-10M	393" [10m]	YES
MDE45B-4MP-RJ45-15M	590" [15m]	YES
MDE45B-4MP-RJ45-20M	786" [20m]	NO

PARTS LISTED AS NOT BEING STANDARD
MAY HAVE MINIMUM ORDER QUANTITIES

MENCOM CORPORATION

TITLE:
D-CODED ML TO RJ45

SIZE	DWG. NO.	REV
B	MDE45B-4MP-RJ45-ZZ	A

SCALE: 3:2	WEIGHT:	SHEET 1 OF 1
------------	---------	--------------