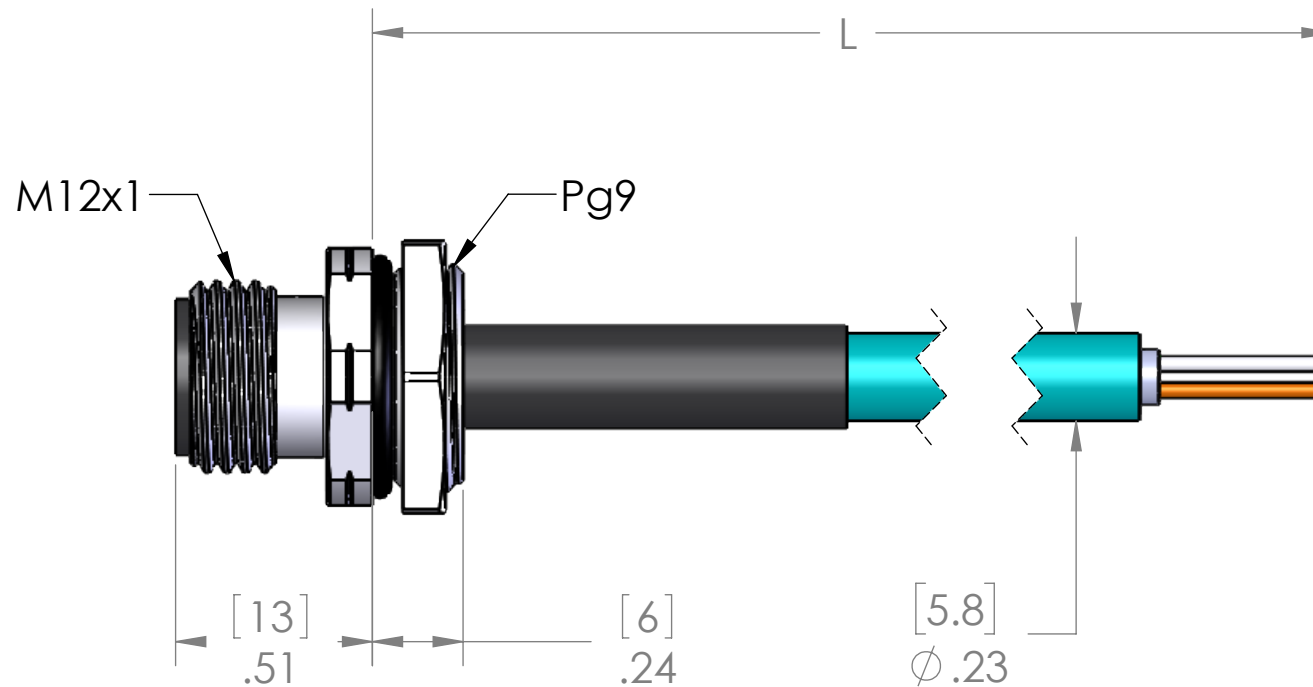
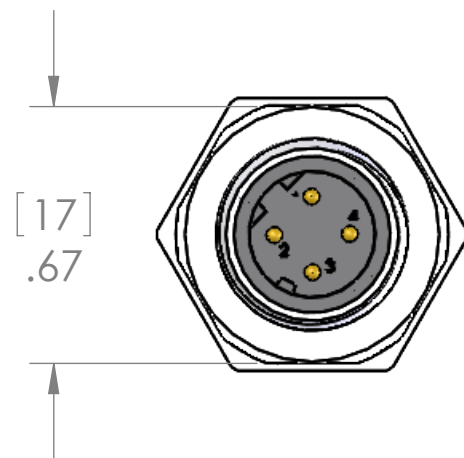


PIN #	COLOR
1	WHITE w/ORANGE
2	WHITE w/GREEN
3	ORANGE
4	GREEN



MATERIALS	
SHELL:	NICKEL PLATED BRASS
CONTACTS:	GOLD PLATED COPPER ALLOY
CABLE:	
STYLE:	AWM CAT 5e
AWG:	24 AWG
JACKET:	TEAL PVC
VOLTAGE:	600V
SHIELD:	NO
INSERT:	POLYAMIDE
O-RING:	NBR
NUT:	NICKEL PLATED BRASS
HEATSHRINK:	POLYOLEFIN
APPROVALS	
US:	UL LISTED
CANADA:	C-UL LISTED
ROHS:	YES
CE & UKCA:	YES
RATINGS	
PROTECTION CLASS:	UL TYPE 4 & 12, IEC IP69

P/N	L
MDE45-4MR-PG9	12" [0.3M]
MDE45-4MR-PG9-0.5M	20" [0.5M]
MDE45-4MR-PG9-1M	40" [1M]
MDE45-4MR-PG9-2M	79" [2M]
MDE45-4MR-PG9-3M	118" [3M]
MDE45-4MR-PG9-4M	157" [4M]
MDE45-4MR-PG9-5M	197" [5M]

OTHER LENGTHS ARE AVAILABLE
PLEASE CONSULT FACTORY

UNLESS OTHERWISE SPECIFIED: DIMENSIONS ARE IN INCHES AND [MM]	DRAWN BY	ADM
	DRAWN DATE	08/17/2023
	CHECKED BY	JJH
	CHECK DATE	08/18/2023
COMMENTS:		
MATERIAL		
FINISH		
DO NOT SCALE DRAWING		

MENCOM CORPORATION		
TITLE:		
SIZE	DWG. NO.	REV
B	MDE45-4MR-PG9-ZZ	B
SCALE: 2:1	WEIGHT:	SHEET 1 OF 1

PROPRIETARY AND CONFIDENTIAL
THE INFORMATION CONTAINED IN THIS
DRAWING IS THE SOLE PROPERTY OF
MENCOM CORPORATION. ANY
REPRODUCTION IN PART OR AS A WHOLE
WITHOUT THE WRITTEN PERMISSION OF
MENCOM CORPORATION IS
PROHIBITED.

VOLTS	300V
AMPS	4A
TEMP:	80°C