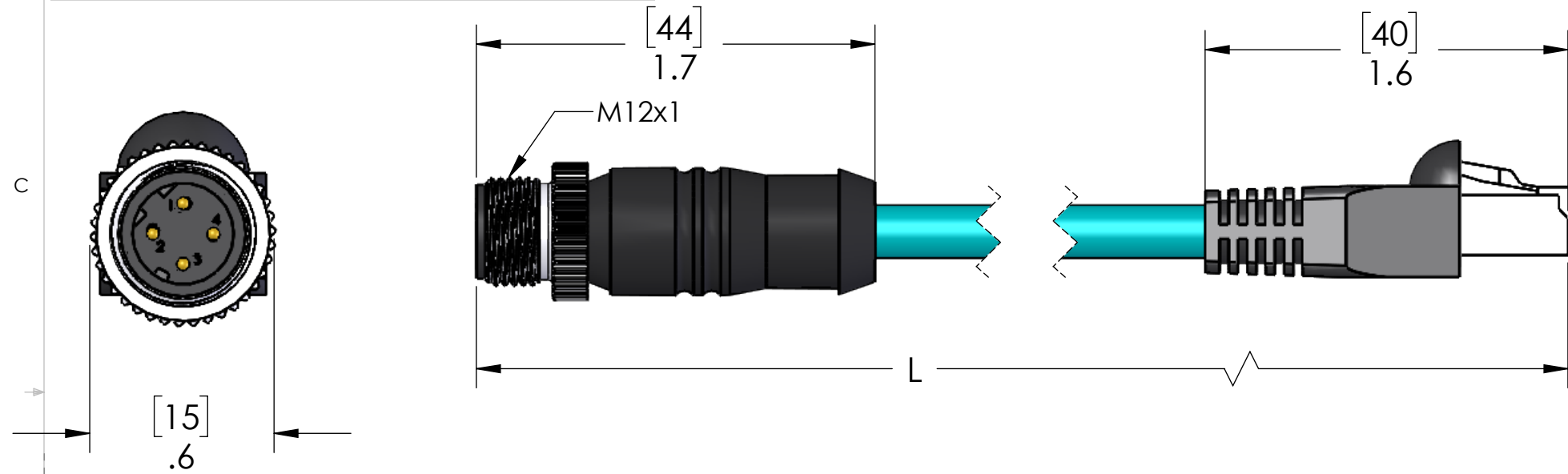


MDC		RJ45
PIN #	COLOR	PIN #
1	WHITE w/ORANGE	1
2	WHITE w/GREEN	3
3	ORANGE	2
4	GREEN	6



12345678

MATERIALS	
BODY:	BLACK PVC
CONTACTS:	GOLD PLATED COPPER ALLOY
CABLE:	
STYLE:	AWM CAT 5e
AWG:	24 AWG
JACKET:	TEAL PVC
VOLTAGE:	600V
SHIELD:	NO
COUPLING:	NICKEL PLATED BRASS
INSERT:	POLYAMIDE
O-RING:	N/A
APPROVALS	
US:	UL LISTED
CANADA:	C-UL LISTED
ROHS:	YES
CE & UKCA:	YES
RATINGS	
PROTECTION CLASS:	UL TYPE 4 & 12, IEC IP69

TABLE A		
P/N	L	STD?
MDE45-4MP-RJ45-0.5M	20" [0.5m]	NO
MDE45-4MP-RJ45-1M	40" [1m]	YES
MDE45-4MP-RJ45-2M	79" [2m]	YES
MDE45-4MP-RJ45-3M	118" [3m]	NO
MDE45-4MP-RJ45-5M	197" [5m]	YES
MDE45-4MP-RJ45-6M	236" [6m]	NO
MDE45-4MP-RJ45-10M	393" [10m]	YES

PARTS LISTED AS NOT BEING STANDARD
MAY HAVE MINIMUM ORDER QUANTITIES

UNLESS OTHERWISE SPECIFIED: DIMENSIONS ARE IN INCHES AND [MM]	DRAWN BY	JJH
	DRAWN DATE	08/14/2023
	CHECKED BY	JJH
	CHECK DATE	08/15/2023
COMMENTS:		
MATERIAL		
FINISH		
DO NOT SCALE DRAWING		

MENCOM CORPORATION		
TITLE:		
SIZE	DWG. NO.	REV
B	MDE45-4MP-RJ45-ZZ	C
SCALE: 3:2	WEIGHT:	SHEET 1 OF 1

PROPRIETARY AND CONFIDENTIAL
THE INFORMATION CONTAINED IN THIS
DRAWING IS THE SOLE PROPERTY OF
MENCOM CORPORATION. ANY
REPRODUCTION IN PART OR AS A WHOLE
WITHOUT THE WRITTEN PERMISSION OF
MENCOM CORPORATION IS
PROHIBITED.

VOLTS	42VDC
AMPS	1.5A
TEMP:	80°C