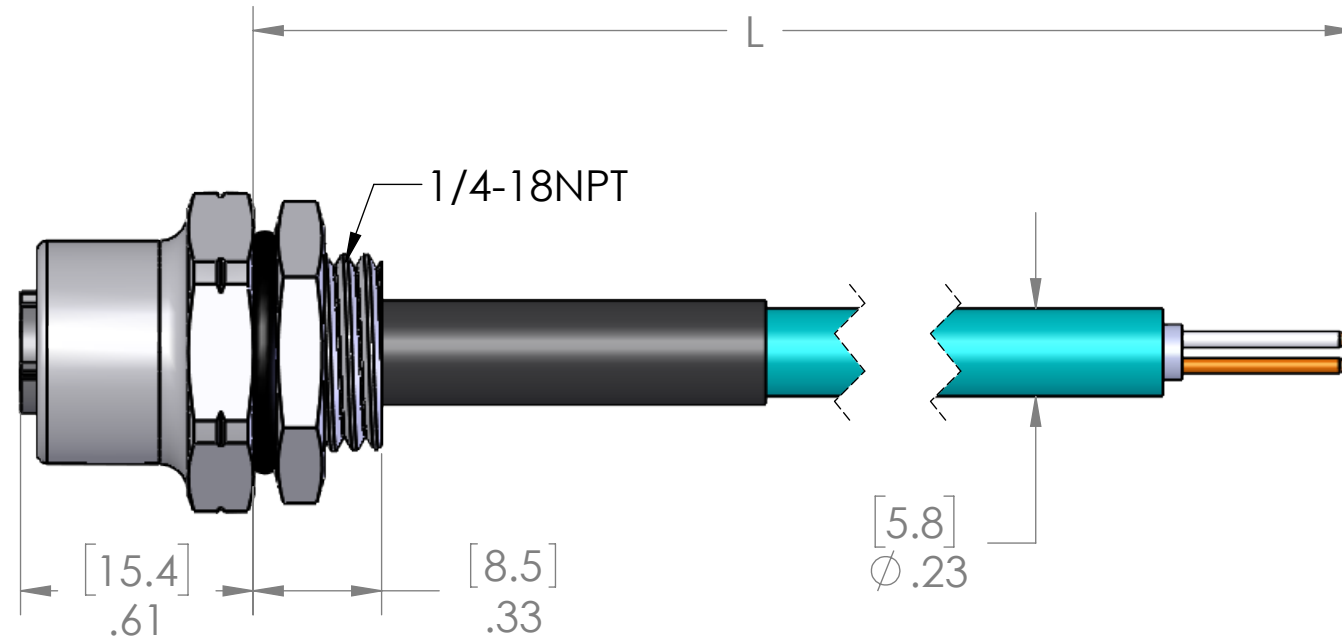
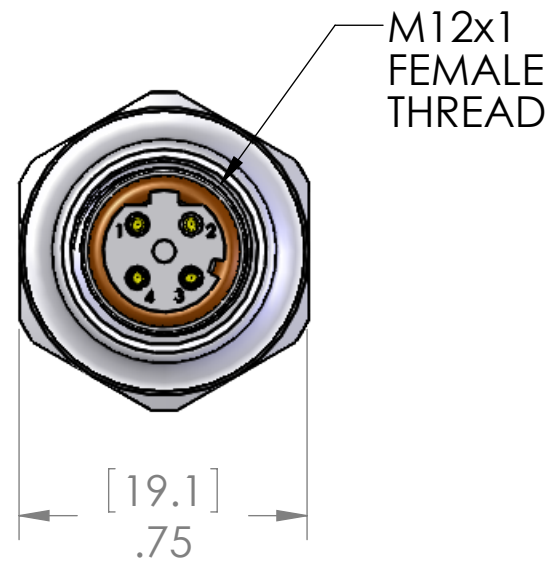


PIN #	COLOR
1	White w/Orange
2	White w/Green
3	Orange
4	Green



P/N	L
MDE45-4FR-4	12" [0.3m]
MDE45-4FR-4-0.5M	20" [0.5m]
MDE45-4FR-4-0.6M	24" [0.6m]
MDE45-4FR-4-1M	40" [1m]
MDE45-4FR-4-2M	79" [2m]
MDE45-4FR-4-3M	118" [3m]
MDE45-4FR-4-4M	157" [4m]
MDE45-4FR-4-5M	197" [5m]
MDE45-4FR-4-10M	393" [10m]

OTHER LENGTHS ARE AVAILABLE  
PLEASE CONSULT FACTORY

MATERIALS	
SHELL:	NICKEL PLATED BRASS
CONTACTS:	GOLD PLATED COPPER ALLOY
CABLE:	
STYLE:	AWM CAT 5e
AWG:	24 AWG
JACKET:	TEAL PVC
VOLTAGE:	600V
INSERT:	POLYAMIDE
O-RING:	FPM & NBR
NUT:	ZINC PLATED STEEL
HEATSHRINK:	POLYOLEFIN
APPROVALS	
US:	UL LISTED
CANADA:	C-UL LISTED
ROHS:	YES
CE & UKCA:	YES
RATINGS	
PROTECTION CLASS:	UL TYPE 4 & 12, IEC IP69

**PROPRIETARY AND CONFIDENTIAL**  
THE INFORMATION CONTAINED IN THIS DRAWING IS THE SOLE PROPERTY OF MENCOM CORPORATION. ANY REPRODUCTION IN PART OR AS A WHOLE WITHOUT THE WRITTEN PERMISSION OF MENCOM CORPORATION IS PROHIBITED.

VOLTS	300V
AMPS	4A
TEMP:	80°C

UNLESS OTHERWISE SPECIFIED: DIMENSIONS ARE IN INCHES AND [MM]	DRAWN BY	ADM
	DRAWN DATE	08/11/2023
	CHECKED BY	JJH
	CHECK DATE	08/11/2023
COMMENTS:		
MATERIAL		
FINISH		
DO NOT SCALE DRAWING		

MENCOM CORPORATION		
TITLE:		
SIZE	DWG. NO.	REV
<b>B</b>	MDE45-4FR-4-ZZ	<b>C</b>
SCALE: 2:1	WEIGHT:	SHEET 1 OF 1