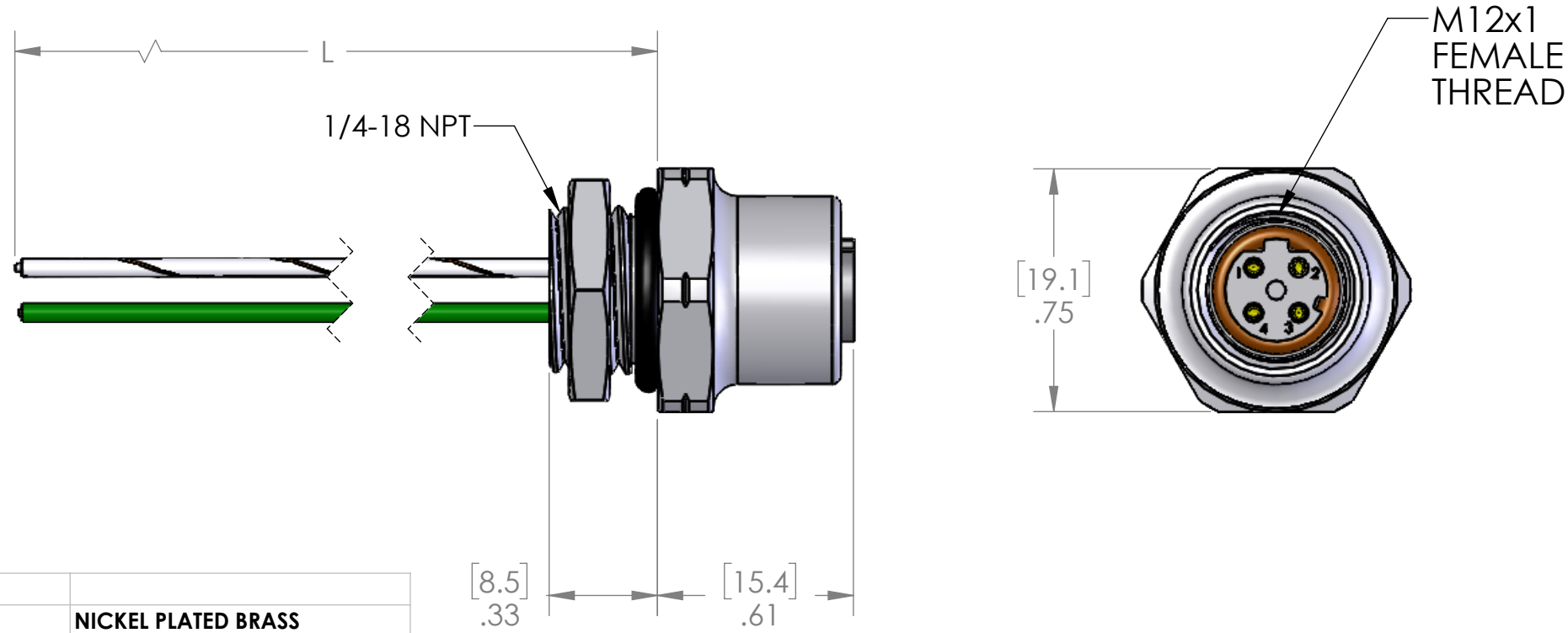


PIN #	COLOR
1	Wht / Org
2	Wht / Grn
3	Orange
4	Green



MATERIALS	
SHELL:	NICKEL PLATED BRASS
CONTACTS:	GOLD PLATED COPPER ALLOY
WIRES:	
STYLE:	UL 1007/1569
AWG:	24 AWG
JACKET:	PVC
VOLTAGE:	300V
INSERT:	POLYAMIDE
O-RING:	FPM & NBR
NUT:	ZINC PLATED STEEL
APPROVALS	
US:	UL LISTED
CANADA:	C-UL LISTED
ROHS:	YES
CE & UKCA:	YES
RATINGS	
PROTECTION CLASS:	UL TYPE 4 & 12, IEC IP69

TABLE A	
P/N	L
MDE45-4FR-4-E45	12" [0.3M]
MDE45-4FR-4-0.5M-E45	20" [0.5M]
MDE45-4FR-4-1M-E45	40" [1M]

FOR LONGER LENGTHS, USE MDE45-4FR-4-ZZ WHICH USES AN ETHERNET CABLE INSTEAD OF INDIVIDUAL WIRES.

PROPRIETARY AND CONFIDENTIAL
 THE INFORMATION CONTAINED IN THIS DRAWING IS THE SOLE PROPERTY OF MENCOM CORPORATION. ANY REPRODUCTION IN PART OR AS A WHOLE WITHOUT THE WRITTEN PERMISSION OF MENCOM CORPORATION IS PROHIBITED.

VOLTS	300V
AMPS	4A
TEMP:	105°C

UNLESS OTHERWISE SPECIFIED:	DRAWN BY	ADM
DIMENSIONS ARE IN INCHES AND [MM]	DRAWN DATE	08/11/2023
	CHECKED BY	JJH
	CHECK DATE	08/14/2023
COMMENTS:		
MATERIAL		
FINISH		
DO NOT SCALE DRAWING		

MENCOM CORPORATION		
TITLE: 4 PL FEM MDE45 RCP 1/4" NPT		
SIZE	DWG. NO.	REV
B	MDE45-4FR-4-ZZ-E45	B
SCALE: 2:1	WEIGHT:	SHEET 1 OF 1