

PIN #	COLOR
1	WHITE w/ORANGE
2	WHITE w/GREEN
3	ORANGE
4	GREEN

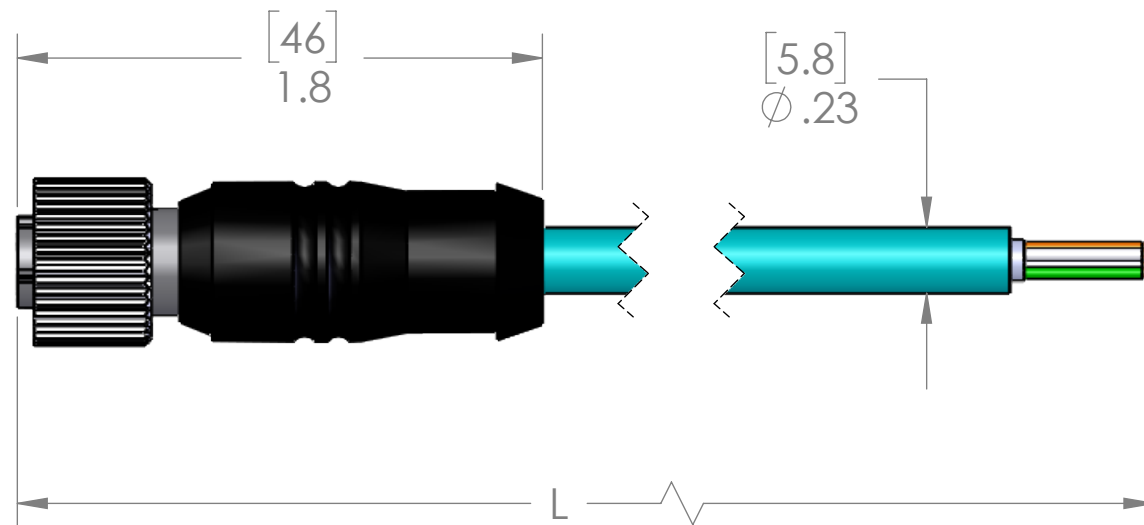
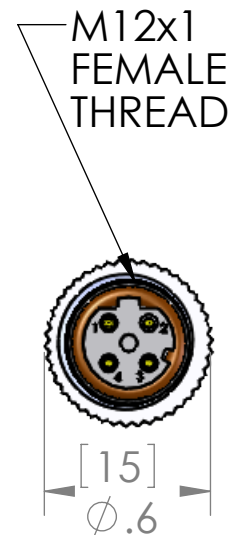


TABLE A		
P/N	L	STD?
MDE45-4FP-0.5M	20" [0.5m]	NO
MDE45-4FP-1M	40" [1m]	YES
MDE45-4FP-1.5M	59" [1.5m]	NO
MDE45-4FP-2M	79" [2m]	YES
MDE45-4FP-3M	118" [3m]	NO
MDE45-4FP-4M	157" [4m]	NO
MDE45-4FP-5M	197" [5m]	YES
MDE45-4FP-6M	236" [6m]	NO
MDE45-4FP-8M	315" [8m]	NO
MDE45-4FP-10M	393" [10m]	YES
MDE45-4FP-15M	590" [15m]	YES
MDE45-4FP-20M	786" [20m]	NO
MDE45-4FP-25M	983" [25m]	NO
MDE45-4FP-30M	1179" [30m]	NO

PARTS LISTED AS NOT BEING STANDARD
MAY HAVE MINIMUM ORDER QUANTITIES

B MATERIALS	
BODY:	BLACK PVC
CONTACTS:	GOLD PLATED COPPER ALLOY
CABLE:	
STYLE:	AWM
AWG:	24 AWG
JACKET:	TEAL PVC
VOLTAGE:	600V
SHIELD:	NO
COUPLING:	NICKEL PLATED BRASS
INSERT:	POLYAMIDE
O-RING:	FPM
A APPROVALS	
US:	UL LISTED
CANADA:	C-UL LISTED
ROHS:	YES
CE & UKCA:	YES
RATINGS	
PROTECTION CLASS:	UL TYPE 4 & 12, IEC IP69

PROPRIETARY AND CONFIDENTIAL
THE INFORMATION CONTAINED IN THIS DRAWING IS THE SOLE PROPERTY OF MENCOM CORPORATION. ANY REPRODUCTION IN PART OR AS A WHOLE WITHOUT THE WRITTEN PERMISSION OF MENCOM CORPORATION IS PROHIBITED.

VOLTS	300V
AMPS	4A
TEMP:	80°C

UNLESS OTHERWISE SPECIFIED:	DRAWN BY	ADM
DIMENSIONS ARE IN INCHES AND [MM]	DRAWN DATE	08/11/2023
	CHECKED BY	JJH
	CHECK DATE	08/14/2023
	COMMENTS:	
MATERIAL		
FINISH		
DO NOT SCALE DRAWING		

MENCOM CORPORATION		
TITLE: 4 POL D-CODED FEM PLUG		
SIZE B	DWG. NO. MDE45-4FP-ZZ	REV B
SCALE: 3:2	WEIGHT:	SHEET 1 OF 1