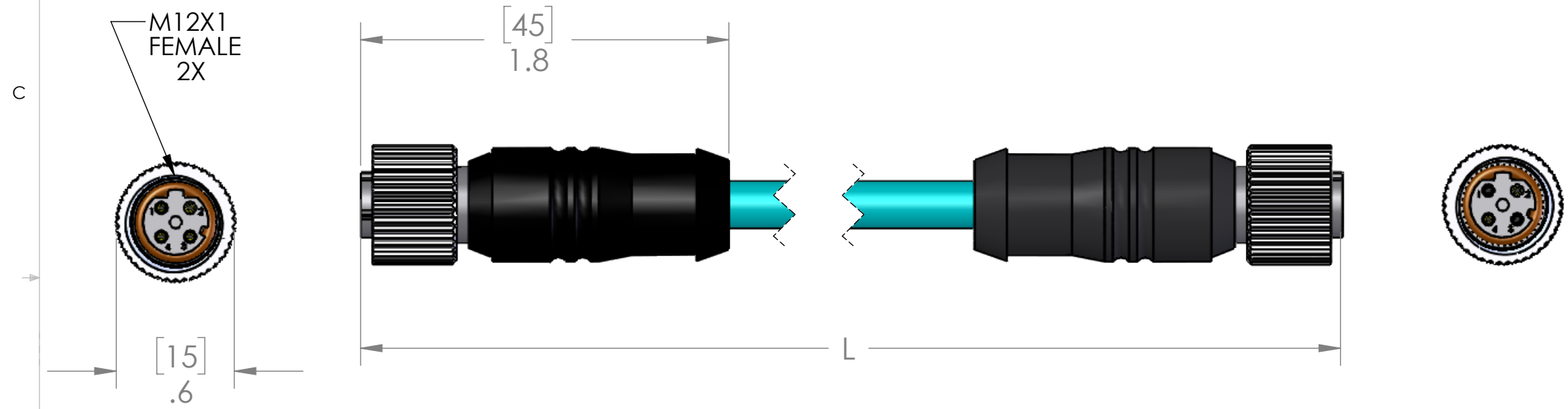


PIN #	COLOR
1	WHITE w/ORANGE
2	WHITE w/GREEN
3	ORANGE
4	GREEN



P/N	L	STD?
MDE45-4FFP-0.5M-R	20" [0.5m]	NO
MDE45-4FFP-1M-R	40" [1m]	YES
MDE45-4FFP-1.5M-R	59" [1.5m]	NO
MDE45-4FFP-2M-R	79" [2m]	YES
MDE45-4FFP-3M-R	118" [3m]	NO
MDE45-4FFP-4M-R	157" [4m]	NO
MDE45-4FFP-5M-R	197" [5m]	YES
MDE45-4FFP-6M-R	236" [6m]	NO
MDE45-4FFP-8M-R	315" [8m]	NO
MDE45-4FFP-10M-R	393" [10m]	YES
MDE45-4FFP-15M-R	590" [15m]	NO
MDE45-4FFP-20M-R	786" [20m]	NO
MDE45-4FFP-25M-R	983" [25m]	NO
MDE45-4FFP-30M-R	1179" [30m]	NO

CABLE LISTED AS NOT BEING STANDARD
MAY REQUIRE MINIMUM ORDER QUANTITIES

MATERIALS	
BODY:	BLACK PVC
CONTACTS:	GOLD PLATED COPPER ALLOY
CABLE:	
STYLE:	AWM CAT 5e
AWG:	24 AWG
JACKET:	TEAL PVC
VOLTAGE:	600V
SHIELD:	NO
COUPLING:	NICKEL PLATED BRASS
INSERT:	POLYAMIDE
O-RING:	FPM
RATINGS	
PROTECTION CLASS:	UL TYPE 4 & 12, IEC IP69

PROPRIETARY AND CONFIDENTIAL
THE INFORMATION CONTAINED IN THIS DRAWING IS THE SOLE PROPERTY OF MENCOM CORPORATION. ANY REPRODUCTION IN PART OR AS A WHOLE WITHOUT THE WRITTEN PERMISSION OF MENCOM CORPORATION IS PROHIBITED.

VOLTS	300V
AMPS	4A
TEMP:	80°C

UNLESS OTHERWISE SPECIFIED: DIMENSIONS ARE IN INCHES AND [MM]	DRAWN BY	JJH
	DRAWN DATE	08/10/2023
	CHECKED BY	JJH
	CHECK DATE	08/10/2023
COMMENTS:		
MATERIAL		
FINISH		
DO NOT SCALE DRAWING		

MENCOM CORPORATION		
TITLE: 4 POL D-CODED FEM PLUG		
SIZE	DWG. NO.	REV
B	MDE45-4FFP-ZZ	B
SCALE: 1:1	WEIGHT:	SHEET 1 OF 1