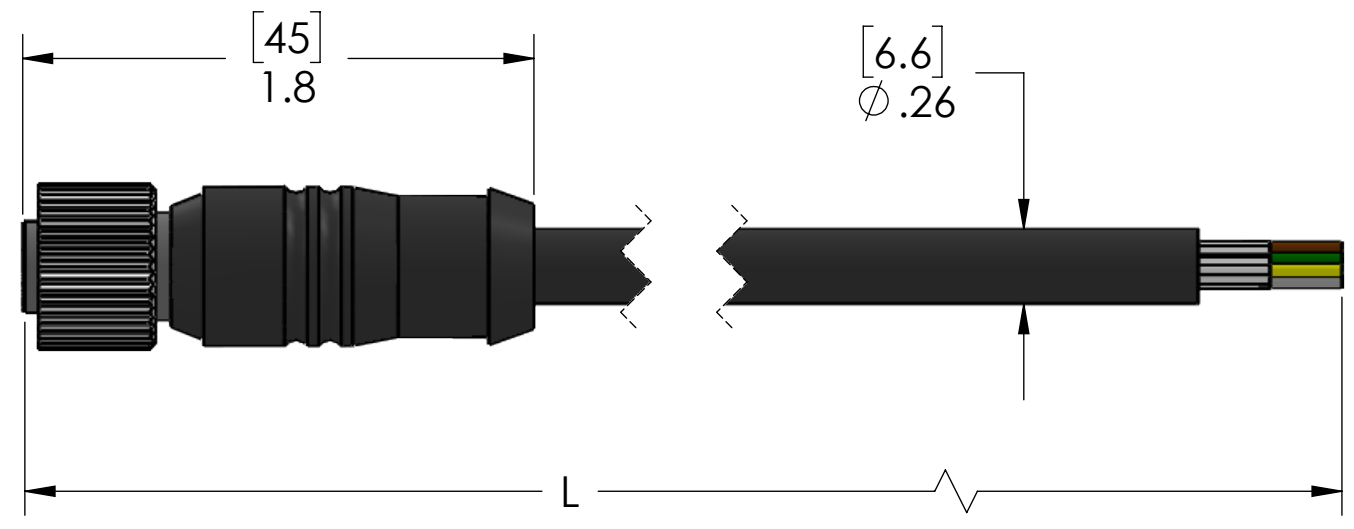
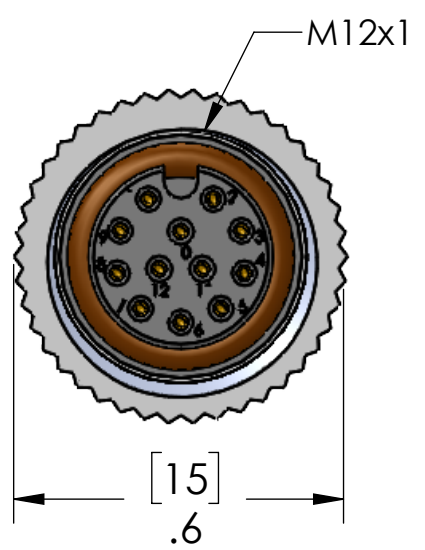


WIRING	
PIN #	COLOR
1	White
2	Brown
3	Green
4	Yellow
5	Gray
6	Pink
7	Blue
8	Red
9	Orange
10	Light Brown (tan)
11	Black
12	Violet (Purple)



Note: The shield is not physically or electrically connected to the coupling nut. The drain wire is left long on the free end.

P/N	L	STD?
MDCPM-12FP-1M-B	40" [1m]	YES
MDCPM-12FP-2M-B	79" [2m]	YES
MDCPM-12FP-3M-B	118" [3m]	YES
MDCPM-12FP-4M-B	157" [4m]	YES
MDCPM-12FP-5M-B	197" [5m]	YES
MDCPM-12FP-8M-B	315" [8m]	NO
MDCPM-12FP-10M-B	393" [10m]	YES
MDCPM-12FP-15M-B	590" [15m]	YES
MDCPM-12FP-20M-B	787" [20m]	YES

MATERIALS	
BODY:	BLCK PUR
CONTACTS:	GOLD PLATED COPPER ALLOY
CABLE:	
STYLE:	AWM
AWG:	24 AWG
JACKET:	BLACK PUR
VOLTAGE:	300V
SHIELD:	MYLAR W/DRAIN
COUPLING:	NICKEL PLATED BRASS
INSERT:	POLYAMIDE
O-RING:	FPM
APPROVALS	
US:	UL LISTED
CANADA:	C-UL LISTED
ROHS:	YES
CE & UKCA:	YES
RATINGS	
PROTECTION CLASS:	IEC IP69

PARTS LISTED AS NOT BEING STANDARD  
MAY REQUIRE MINIMUM ORDERS

**PROPRIETARY AND CONFIDENTIAL**  
THE INFORMATION CONTAINED IN THIS DRAWING IS THE SOLE PROPERTY OF MENCOM CORPORATION. ANY REPRODUCTION IN PART OR AS A WHOLE WITHOUT THE WRITTEN PERMISSION OF MENCOM CORPORATION IS PROHIBITED.

VOLTS	30V
AMPS	2A
TEMP:	80°C

UNLESS OTHERWISE SPECIFIED:	DRAWN BY	ADM
DIMENSIONS ARE IN INCHES AND [MM]	DRAWN DATE	03/16/2023
	CHECKED BY	ADM
	CHECK DATE	03/16/2023
	COMMENTS:	
	MATERIAL	
	FINISH	
	DO NOT SCALE DRAWING	

MENCOM CORPORATION		
TITLE: 12 PL MDC FEM PLUG		
SIZE <b>B</b>	DWG. NO. MDCPM-12FP-ZZ-B	REV <b>B</b>
SCALE: 3:2	WEIGHT:	SHEET 1 OF 1