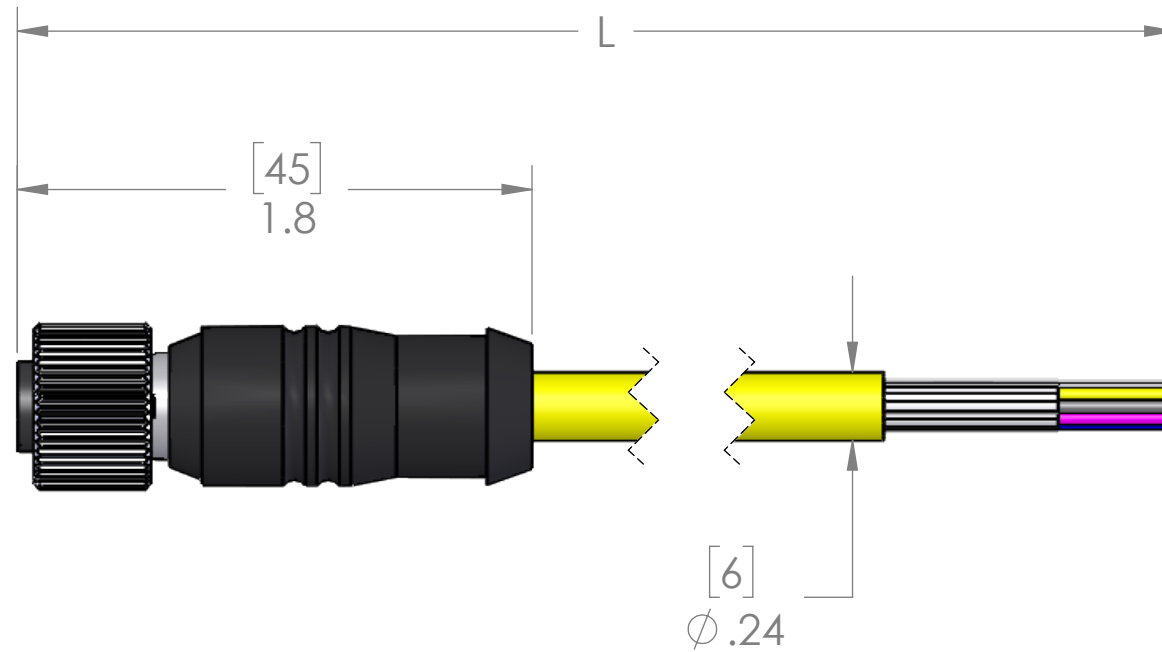


PIN #	COLOR
1	WHITE
2	BROWN
3	GREEN
4	YELLOW
5	GRAY
6	PINK
7	BLUE
8	RED
CPLG	SHIELD

M12x1  
FEMALE



[15]  
Ø.6



P/N	L	STD?
MDCP-8FSP-1M	40" [1m]	YES
MDCP-8FSP-2M	79" [2m]	YES
MDCP-8FSP-3M	118" [3m]	NO
MDCP-8FSP-4M	157" [4m]	YES
MDCP-8FSP-5M	197" [5m]	YES
MDCP-8FSP-6M	236" [6m]	YES
MDCP-8FSP-8M	315" [8m]	YES
MDCP-8FSP-9M	354" [9m]	NO
MDCP-8FSP-10M	393" [10m]	YES
MDCP-8FSP-15M	590" [15m]	YES
MDCP-8FSP-20M	786" [20m]	NO
MDCP-8FSP-25M	983" [25m]	NO
MDCP-8FSP-30M	1179" [30m]	NO

PART SHOWN AS NOT BEING STANDARD  
MAY REQUIRE MINIMUM ORDERS

MATERIALS	
BODY:	BLACK PUR
CONTACTS:	GOLD PLATED COPPER ALLOY
CABLE:	
STYLE:	AWM
AWG:	24 AWG
JACKET:	YELLOW PUR
VOLTAGE:	600V
SHIELD:	MYLAR FOIL
COUPLING:	NICKEL PLATED BRASS
INSERT:	POLYAMIDE
O-RING:	FPM
APPROVALS	
US:	UL LISTED
CANADA:	C-UL LISTED
ROHS:	YES
CE & UKCA:	YES
RATINGS	
PROTECTION CLASS:	IEC IP69

**PROPRIETARY AND CONFIDENTIAL**  
THE INFORMATION CONTAINED IN THIS DRAWING IS THE SOLE PROPERTY OF MENCOM CORPORATION. ANY REPRODUCTION IN PART OR AS A WHOLE WITHOUT THE WRITTEN PERMISSION OF MENCOM CORPORATION IS PROHIBITED.

VOLTS	60V
AMPS	2A
TEMP:	80°C

UNLESS OTHERWISE SPECIFIED:	DRAWN BY	ADM
DIMENSIONS ARE IN INCHES AND [MM]	DRAWN DATE	06/23/2023
	CHECKED BY	JJH
	CHECK DATE	06/26/2023
	COMMENTS:	
MATERIAL		
FINISH		
DO NOT SCALE DRAWING		

MENCOM CORPORATION		
TITLE: 8 POL MDC SHLD		
SIZE	DWG. NO.	REV
<b>B</b>	MDCP-8FSP-ZZ	<b>B</b>
SCALE: 3:2	WEIGHT:	SHEET 1 OF 1