

PIN #	COLOR
1	WHITE
2	BROWN
3	GREEN
4	YELLOW
5	GRAY
6	PINK
7	BLUE
8	RED

M12x1  
FEMALE  
THREAD



[15]  
Ø.6

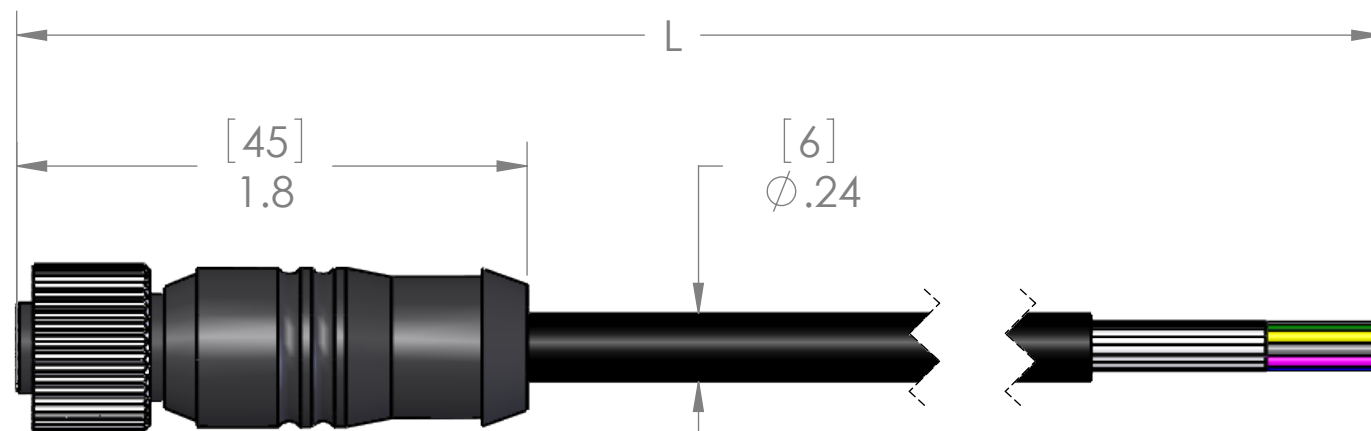


TABLE A		
P/N	L	STD?
MDCP-8FP-1M-B	40" [1m]	NO
MDCP-8FP-2M-B	79" [2m]	YES
MDCP-8FP-3M-B	118" [3m]	NO
MDCP-8FP-4M-B	157" [4m]	NO
MDCP-8FP-5M-B	197" [5m]	YES
MDCP-8FP-6M-B	236" [6m]	NO
MDCP-8FP-8M-B	315" [8m]	NO
MDCP-8FP-9M-B	354" [9m]	NO
MDCP-8FP-10M-B	393" [10m]	YES
MDCP-8FP-15M-B	590" [15m]	YES
MDCP-8FP-20M-B	786" [20m]	NO
MDCP-8FP-25M-B	983" [25m]	NO
MDCP-8FP-30M-B	1179" [30m]	NO

PARTS LISTED AS NOT BEING STANDARD  
MAY HAVE MINIMUM ORDER QUANTITIES

MATERIALS	
BODY:	BLACK PUR
CONTACTS:	GOLD PLATED COPPER ALLOY
CABLE:	
STYLE:	AWM
AWG:	24/8
JACKET:	BLACK PUR
VOLTAGE:	300V
SHIELD:	MYLAR W/DRAIN
COUPLING:	NICKEL PLATED BRASS
INSERT:	POLYAMIDE
O-RING:	FPM
APPROVALS	
US:	UL LISTED
CANADA:	C-UL LISTED
ROHS:	YES
CE:	YES
RATINGS	
PROTECTION CLASS:	UL TYPE 4 & 12, IEC IP69

**PROPRIETARY AND CONFIDENTIAL**  
THE INFORMATION CONTAINED IN THIS  
DRAWING IS THE SOLE PROPERTY OF  
MENCOM CORPORATION. ANY  
REPRODUCTION IN PART OR AS A WHOLE  
WITHOUT THE WRITTEN PERMISSION OF  
MENCOM CORPORATION IS  
PROHIBITED.

VOLTS	60V
AMPS	2A
TEMP:	80°C

UNLESS OTHERWISE SPECIFIED:	DRAWN BY	ADM
DIMENSIONS ARE IN INCHES AND [MM]	DRAWN DATE	09/16/2021
	CHECKED BY	JJH
	CHECK DATE	09/17/2021
	COMMENTS:	
MATERIAL		
FINISH		
DO NOT SCALE DRAWING		

MENCOM CORPORATION		
TITLE:		
SIZE	DWG. NO.	REV
<b>B</b>	MDCP-8FP-ZZ-B	<b>B</b>
SCALE: 3:2	WEIGHT:	SHEET 1 OF 1