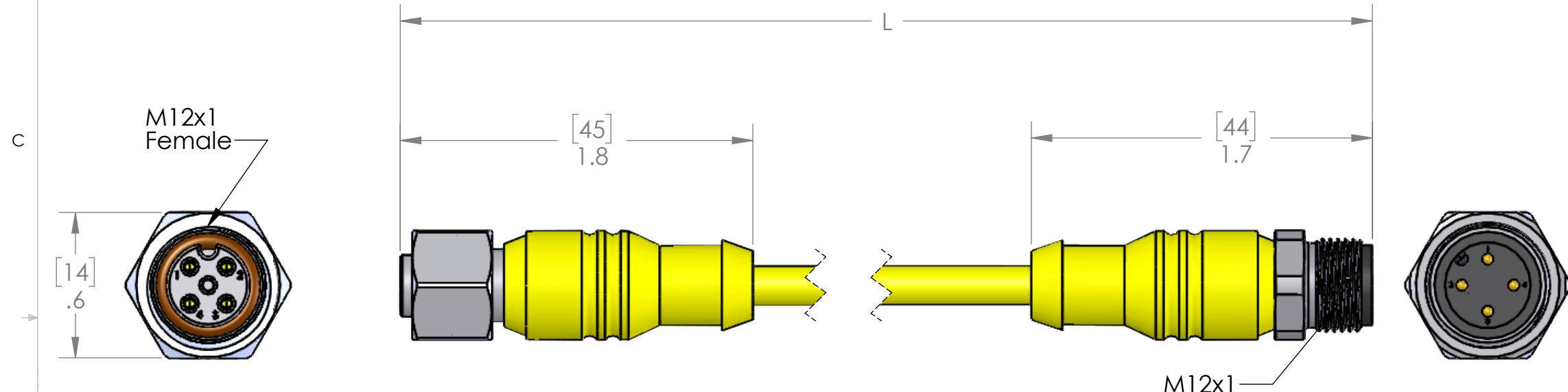


MALE	WIRING	FEMALE
PIN #		PIN #
1	----	1
2	----	2
3	----	3
4	----	4



P/N	L	STD?
MDCP-4MFP-1M-SS	40" [1M]	YES
MDCP-4MFP-2M-SS	79" [2M]	YES
MDCP-4MFP-3M-SS	118" [3M]	NO
MDCP-4MFP-4M-SS	157" [4M]	NO
MDCP-4MFP-5M-SS	197" [5M]	YES
MDCP-4MFP-6M-SS	236" [6M]	NO
MDCP-4MFP-10M-SS	393" [10M]	YES
MDCP-4MFP-15M-SS	590" [15M]	YES
MDCP-4MFP-20M-SS	786" [20M]	NO
MDCP-4MFP-30M-SS	1179" [30M]	NO

MATERIALS	
BODY:	YELLOW PUR
CONTACTS:	GOLD PLATED COPPER ALLOY
CABLE:	
STYLE:	AWM
AWG:	22 AWG
JACKET:	YELLOW PUR
VOLTAGE:	600V
SHIELD:	NO
COUPLING:	STAINLESS STEEL
INSERT:	POLYAMIDE
O-RING:	FPM
APPROVALS	
US:	UL LISTED
CANADA:	C-UL LISTED
ROHS:	YES
CE & UKCA:	YES
RATINGS	
PROTECTION CLASS:	IEC IP69

PARTS LISTED AS NOT BEING STANDARD  
MAY HAVE MINIMUM ORDER QUANTITIES

**PROPRIETARY AND CONFIDENTIAL**  
THE INFORMATION CONTAINED IN THIS DRAWING IS THE SOLE PROPERTY OF MENCOM CORPORATION. ANY REPRODUCTION IN PART OR AS A WHOLE WITHOUT THE WRITTEN PERMISSION OF MENCOM CORPORATION IS PROHIBITED.

VOLTS	300V
AMPS	4A
TEMP:	80°C

UNLESS OTHERWISE SPECIFIED: DIMENSIONS ARE IN INCHES AND [MM]	DRAWN BY	JJH
	DRAWN DATE	07/19/2023
	CHECKED BY	JJH
	CHECK DATE	07/24/2023
COMMENTS:		
MATERIAL		
FINISH		
DO NOT SCALE DRAWING		

MENCOM CORPORATION		
TITLE: 4 PL PUR M-F EXT. SS		
SIZE	DWG. NO.	REV
<b>B</b>	MDCP-4MFP-ZZ-SS	<b>B</b>
SCALE: 3:2	WEIGHT:	SHEET 1 OF 1