

PIN #	COLOR
1	WHITE
2	BROWN
3	GREEN
4	YELLOW
5	GRAY
6	PINK
7	BLUE
8	RED

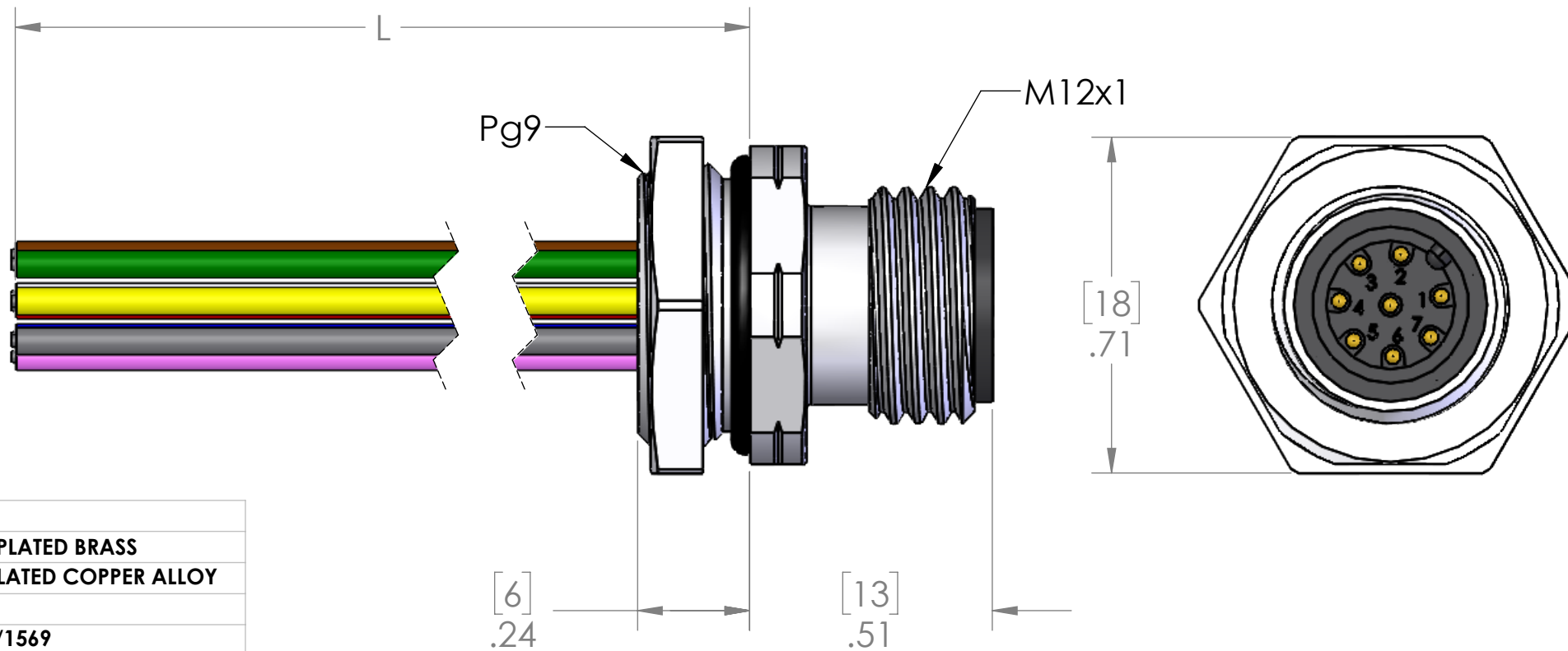


TABLE A	
P/N	L
MDC-8MR-PG9	12" [0.3M]
MDC-8MR-PG9-0.5M	20" [0.5M]
MDC-8MR-PG9-0.6M	24" [0.6M]
MDC-8MR-PG9-1M	40" [1M]
MDC-8MR-PG9-2M	79" [2M]
MDC-8MR-PG9-3M	118" [3M]
MDC-8MR-PG9-4M	157" [4M]
MDC-8MR-PG9-5M	197" [5M]
MDC-8MR-PG9-10M	393" [10M]

OTHER LENGTHS AVAILABLE,
PLEASE CONSULT FACTORY

MATERIALS	
SHELL:	NICKEL PLATED BRASS
CONTACTS:	GOLD PLATED COPPER ALLOY
WIRES:	
STYLE:	UL 1007/1569
AWG:	24 AWG
JACKET:	PVC
VOLTAGE:	300V
INSERT:	POLYAMIDE
O-RING:	NBR
NUT:	NICKEL PLATED BRASS
APPROVALS	
US:	UL LISTED
CANADA:	C-UL LISTED
ROHS:	YES
CE & UKCA:	YES
RATINGS	
PROTECTION CLASS:	UL TYPE 4 & 12, IEC IP69

PROPRIETARY AND CONFIDENTIAL
THE INFORMATION CONTAINED IN THIS DRAWING IS THE SOLE PROPERTY OF MENCOM CORPORATION. ANY REPRODUCTION IN PART OR AS A WHOLE WITHOUT THE WRITTEN PERMISSION OF MENCOM CORPORATION IS PROHIBITED.

VOLTS	60V
AMPS	2A
TEMP:	105°C

UNLESS OTHERWISE SPECIFIED:	DRAWN BY	ADM
DIMENSIONS ARE IN INCHES AND [MM]	DRAWN DATE	07/11/2023
	CHECKED BY	JJH
	CHECK DATE	07/11/2023
MATERIAL	COMMENTS:	
FINISH		
DO NOT SCALE DRAWING		

MENCOM CORPORATION		
TITLE:		
SIZE	DWG. NO.	REV
B	MDC-8MR-PG9-ZZ	B
SCALE: 3:1	WEIGHT:	SHEET 1 OF 1