

PIN #	COLOR
1	BROWN
2	WHITE
3	BLUE
4	BLACK
5	GRAY
6	PINK
7	NO WIRE
8	NO WIRE

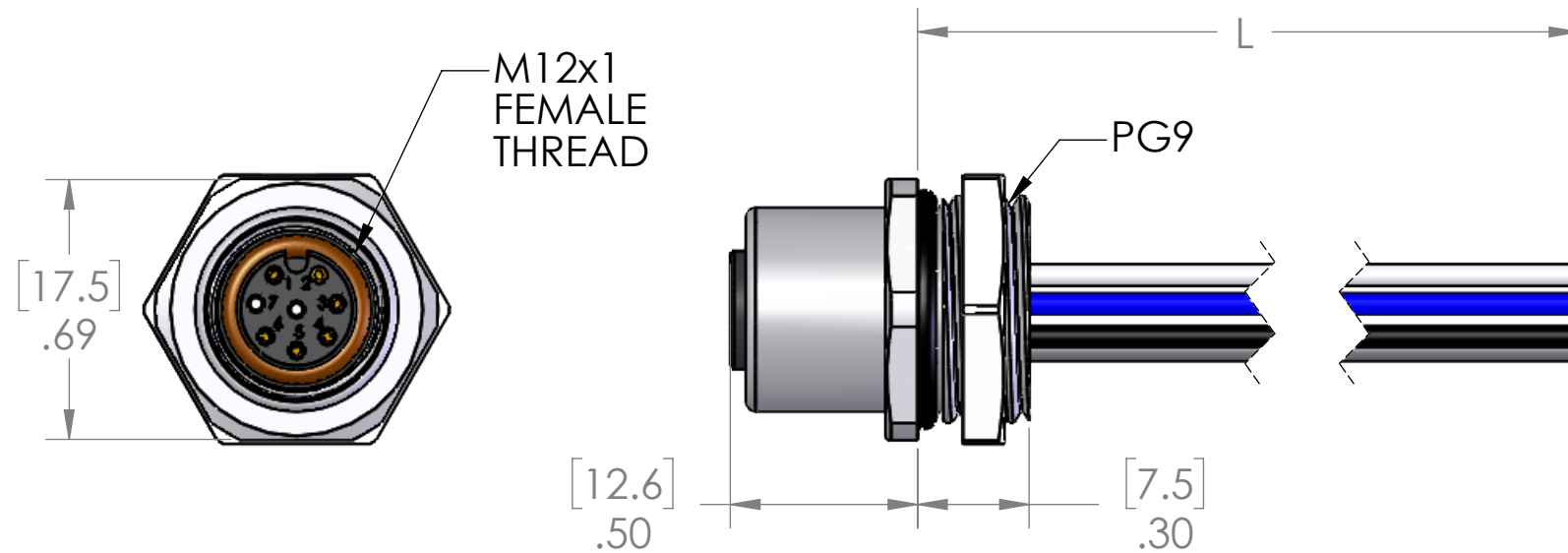


TABLE A	
P/N	L
MDC-6MR-PG9	12" [0.3M]
MDC-6MR-PG9-0.5M	20" [0.5M]
MDC-6MR-PG9-0.6M	24" [0.6M]
MDC-6MR-PG9-1M	40" [1M]
MDC-6MR-PG9-2M	79" [2M]
MDC-6MR-PG9-5M	197" [5M]
MDC-6MR-PG9-10M	393" [10M]

OTHER LENGTHS AVAILABLE
PLEASE CONSULT FACTORY

MATERIALS	
SHELL:	NICKEL PLATED BRASS
CONTACTS:	GOLD PLATED COPPER ALLOY
WIRES:	
STYLE:	UL 1007/1569
AWG:	24 AWG
JACKET:	PVC
VOLTAGE:	300V
INSERT:	POLYAMIDE
O-RING:	FPM & NBR
NUT:	N/A
APPROVALS	
US:	UL LISTED
CANADA:	C-UL LISTED
ROHS:	YES
CE & UKCA:	YES
RATINGS	
PROTECTION CLASS:	UL TYPE 4 & 12, IEC IP69

PROPRIETARY AND CONFIDENTIAL
THE INFORMATION CONTAINED IN THIS DRAWING IS THE SOLE PROPERTY OF MENCOM CORPORATION. ANY REPRODUCTION IN PART OR AS A WHOLE WITHOUT THE WRITTEN PERMISSION OF MENCOM CORPORATION IS PROHIBITED.

VOLTS	60V
AMPS	2A
TEMP:	105°C

UNLESS OTHERWISE SPECIFIED:	DRAWN BY	ADM
DIMENSIONS ARE IN INCHES AND [MM]	DRAWN DATE	07/12/2023
	CHECKED BY	JJH
	CHECK DATE	07/13/2023
MATERIAL	COMMENTS:	
FINISH		
DO NOT SCALE DRAWING		

MENCOM CORPORATION		
TITLE:		
SIZE	DWG. NO.	REV
B	MDC-6FR-PG9-ZZ	B
SCALE: 2:1	WEIGHT:	SHEET 1 OF 1