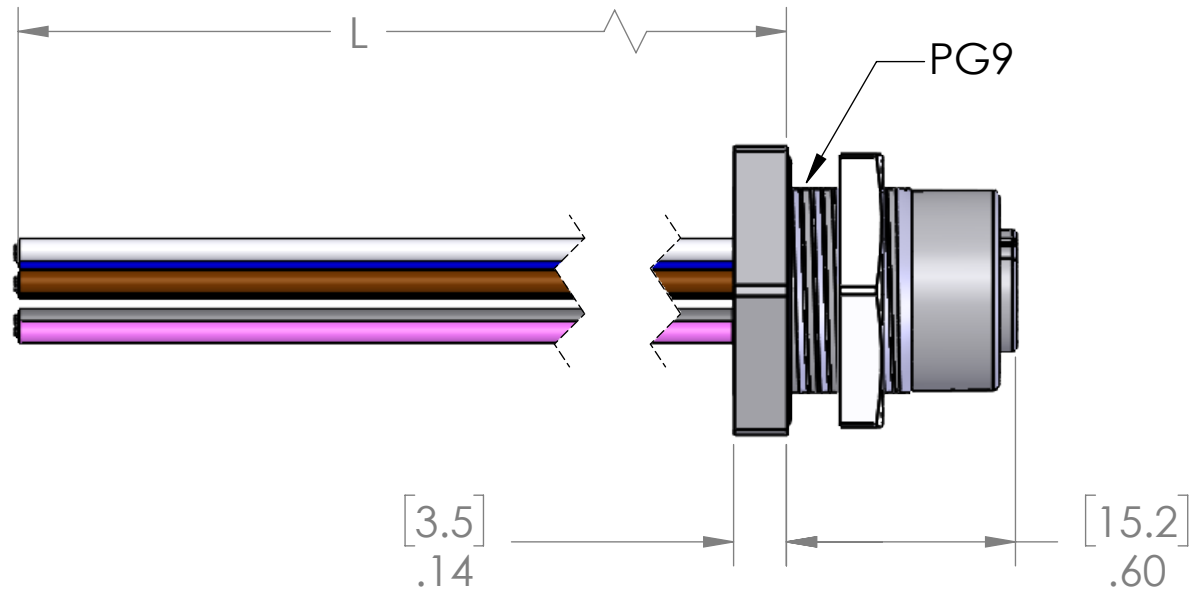


PIN #	COLOR
1	BROWN
2	WHITE
3	BLUE
4	BLACK
5	GRAY
6	PINK
7	N/C
8	N/C



KEYWAY  
ORIENTATION  
AS SHOWN  
RELATIVE TO FLAT

M12x1 FEMALE  
THREAD

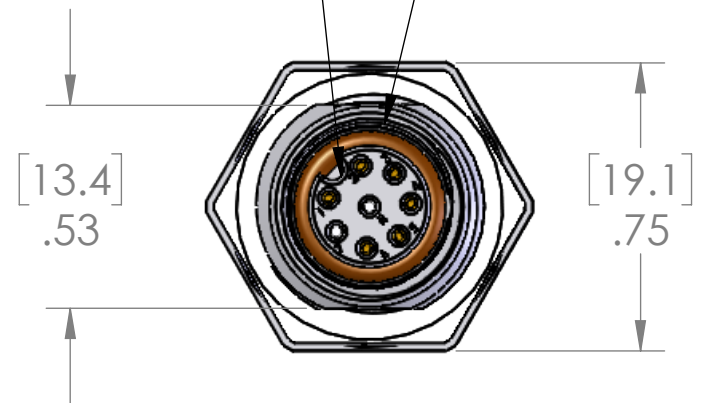
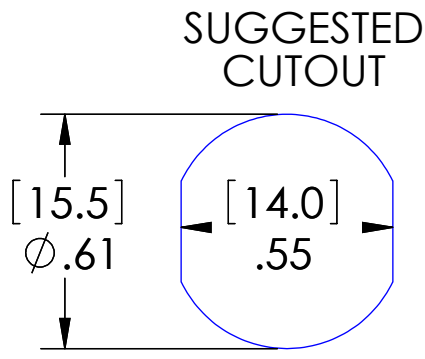


TABLE A	
P/N	L
MDC-6FR-BM	12" [.3M]
MDC-6FR-BM-0.5M	20" [.5M]
MDC-6FR-BM-0.6M	24" [.6M]
MDC-6FR-BM-1M	40" [1M]
MDC-6FR-BM-2M	79" [2M]
MDC-6FR-BM-3M	118" [3M]
MDC-6FR-BM-5M	197" [5M]
MDC-6FR-BM-10M	393" [10M]

OTHER LENGTHS AVAILABLE  
PLEASE CONSULT FACTORY

MATERIALS	
SHELL:	NICKEL PLATED BRASS
CONTACTS:	GOLD PLATED COPPER ALLOY
WIRES:	
STYLE:	UL 1007/1569
AWG:	24 AWG
JACKET:	PVC
VOLTAGE:	300V
INSERT:	POLYAMIDE
O-RING:	FPM & NBR
NUT:	NICKEL PLATED BRASS
APPROVALS	
US:	UL LISTED
CANADA:	C-UL LISTED
ROHS:	YES
CE & UKCA:	YES
RATINGS	
PROTECTION CLASS:	UL TYPE 4 & 12, IEC IP69



**PROPRIETARY AND CONFIDENTIAL**  
THE INFORMATION CONTAINED IN THIS  
DRAWING IS THE SOLE PROPERTY OF  
MENCOM CORPORATION. ANY  
REPRODUCTION IN PART OR AS A WHOLE  
WITHOUT THE WRITTEN PERMISSION OF  
MENCOM CORPORATION IS  
PROHIBITED.

VOLTS	60V
AMPS	2A
TEMP:	105°C

UNLESS OTHERWISE SPECIFIED:	DRAWN BY	ADM
DIMENSIONS ARE IN INCHES AND [MM]	DRAWN DATE	07/13/2023
	CHECKED BY	JJH
	CHECK DATE	07/13/2023
	COMMENTS:	
MATERIAL		
FINISH		
DO NOT SCALE DRAWING		

MENCOM CORPORATION		
TITLE:		
SIZE	DWG. NO.	REV
<b>B</b>	MDC-6FR-BM-ZZ	<b>B</b>
SCALE: 2:1	WEIGHT:	SHEET 1 OF 1