

PIN #	COLOR
1	BROWN
2	WHITE
3	BLUE
4	BLACK

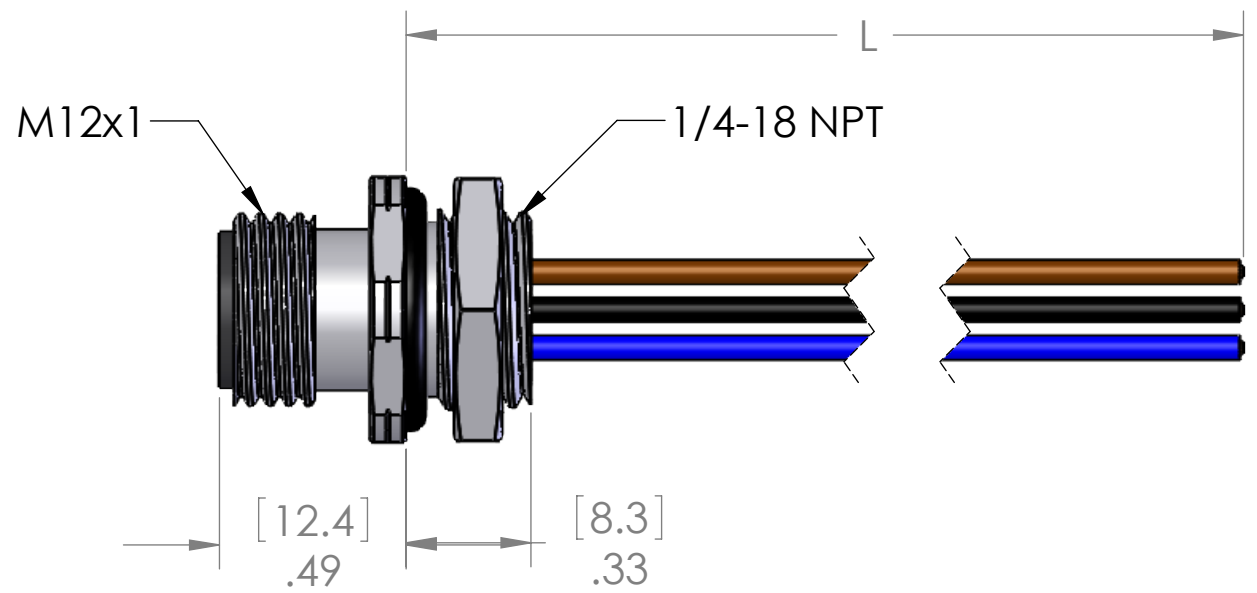
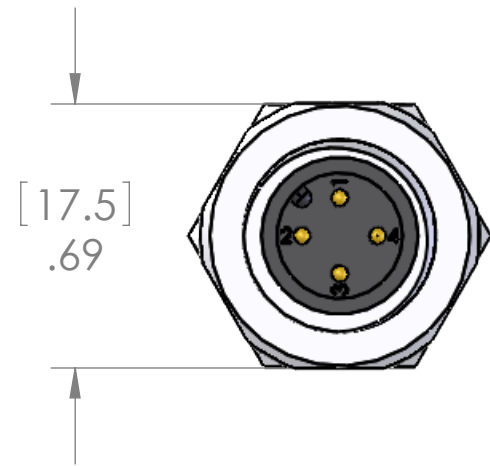


TABLE A	
P/N	L
MDC-4MR-4	12" [0.3m]
MDC-4MR-4-0.5M	20" [0.5m]
MDC-4MR-4-0.6M	24" [0.6m]
MDC-4MR-4-1M	40" [1m]
MDC-4MR-4-2M	79" [2m]
MDC-4MR-4-3M	118" [3m]
MDC-4MR-4-4M	157" [4m]
MDC-4MR-4-5M	197" [5m]
MDC-4MR-4-10M	393" [10m]

OTHER LENGTHS AVAILABLE, PLEASE CONSULT FACTORY

MATERIALS	
SHELL:	NICKEL PLATED BRASS
CONTACTS:	GOLD PLATED COPPER ALLOY
WIRES:	
STYLE:	UL 1007/1569
AWG:	22 AWG
JACKET:	PVC
VOLTAGE:	300V
INSERT:	POLYAMIDE
O-RING:	NBR
NUT:	NICKEL PLATED BRASS
APPROVALS	
US:	UL LISTED
CANADA:	C-UL LISTED
ROHS:	YES
CE & UKCA:	YES
RATINGS	
PROTECTION CLASS:	UL TYPE 4 & 12, IEC IP69

PROPRIETARY AND CONFIDENTIAL
THE INFORMATION CONTAINED IN THIS DRAWING IS THE SOLE PROPERTY OF MENCOM CORPORATION. ANY REPRODUCTION IN PART OR AS A WHOLE WITHOUT THE WRITTEN PERMISSION OF MENCOM CORPORATION IS PROHIBITED.

VOLTS	300V
AMPS	4A
TEMP:	105°C

UNLESS OTHERWISE SPECIFIED:	DRAWN BY	ADM
DIMENSIONS ARE IN INCHES AND [MM]	DRAWN DATE	06/26/2023
	CHECKED BY	JJH
	CHECK DATE	06/27/2023
MATERIAL	COMMENTS:	
FINISH		
DO NOT SCALE DRAWING		

MENCOM CORPORATION		
TITLE: 4 PL 1/4" NPT MDC ML RECP		
SIZE	DWG. NO.	REV
B	MDC-4MR-4-ZZ	B
SCALE: 2:1	WEIGHT:	SHEET 1 OF 1