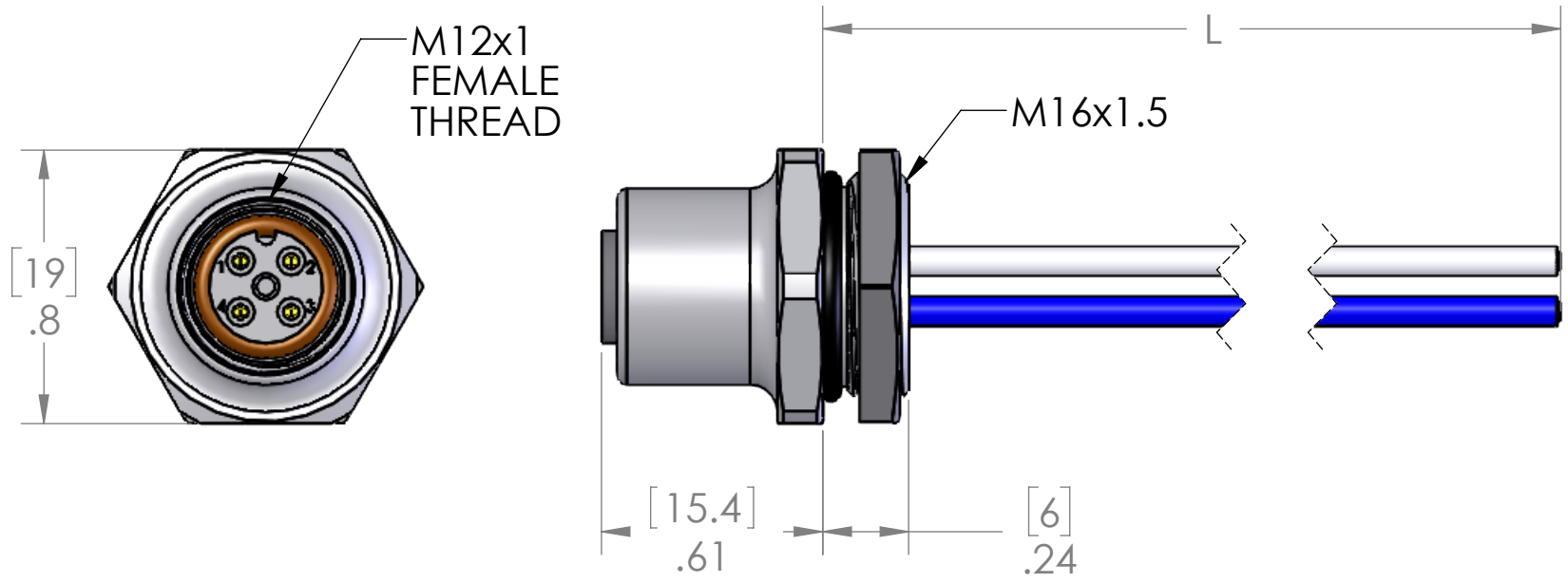


PIN #	COLOR
1	BROWN
2	WHITE
3	BLUE
4	BLACK
5	NOT USED



MATERIALS	
SHELL:	NICKEL PLATED BRASS
CONTACTS:	GOLD PLATED COPPER ALLOY
WIRES:	
STYLE:	UL 1007/1569
AWG:	18/4
JACKET:	PVC
VOLTAGE:	300V
INSERT:	POLYAMIDE
O-RING:	NBR & FPM
NUT:	NICKEL PLATED BRASS
APPROVALS	
US:	UL LISTED
CANADA:	C-UL LISTED
ROHS:	YES
CE:	YES
RATINGS	
PROTECTION CLASS:	UL TYPE 4 & 12, IEC IP69

P/N	L
MDC-4FR-M16-18	12" [0.3M]
MDC-4FR-M16-0.5M-18	20" [0.5M]
MDC-4FR-M16-0.6M-18	24" [0.6M]
MDC-4FR-M16-1M-18	40" [1M]
MDC-4FR-M16-2M-18	79" [2M]
MDC-4FR-M16-3M-18	118" [3M]
MDC-4FR-M16-4M-18	157" [4M]
MDC-4FR-M16-5M-18	197" [5M]

OTHER LENGTHS AVAILABLE
CONSULT FACTORY

PROPRIETARY AND CONFIDENTIAL
THE INFORMATION CONTAINED IN THIS DRAWING IS THE SOLE PROPERTY OF MENCOM CORPORATION. ANY REPRODUCTION IN PART OR AS A WHOLE WITHOUT THE WRITTEN PERMISSION OF MENCOM CORPORATION IS PROHIBITED.

VOLTS	300V
AMPS	4A
TEMP:	105°C

UNLESS OTHERWISE SPECIFIED:	DRAWN BY	ADM
DIMENSIONS ARE IN INCHES AND [MM]	DRAWN DATE	11/03/2021
	CHECKED BY	JJH
	CHECK DATE	11/03/2021
MATERIAL	COMMENTS:	
FINISH		
DO NOT SCALE DRAWING		

MENCOM CORPORATION		
TITLE: 4 PL MDC FM M16 RECP		
SIZE	DWG. NO.	REV
B	MDC-4FR-M16-ZZ-18	B
SCALE: 2:1	WEIGHT:	SHEET 1 OF 1