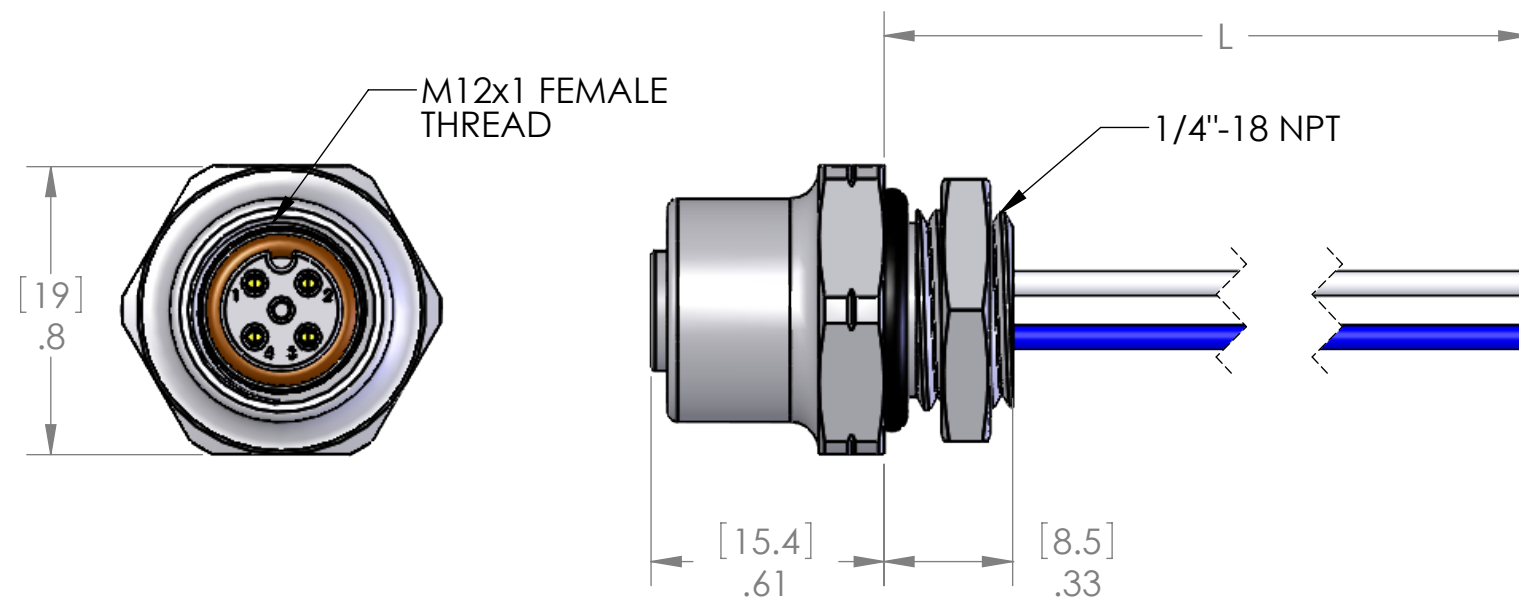


PIN #	COLOR
1	BROWN
2	WHITE
3	BLUE
4	BLACK
5	NO WIRE



P/N	L
MDC-4FR-4	12" [0.3m]
MDC-4FR-4-0.5M	20" [0.5m]
MDC-4FR-4-0.6M	24" [0.6m]
MDC-4FR-4-1M	40" [1m]
MDC-4FR-4-2M	79" [2m]
MDC-4FR-4-3M	118" [3m]
MDC-4FR-4-4M	157" [4m]
MDC-4FR-4-5M	197" [5m]

MATERIALS	
SHELL:	NICKEL PLATED BRASS
CONTACTS:	GOLD PLATED COPPER ALLOY
WIRES:	
STYLE:	UL 1007/1569
AWG:	22/4
JACKET:	PVC
VOLTAGE:	300V
INSERT:	POLYAMIDE
O-RING:	NBR & FPM
NUT:	ZINC PLATED STEEL
APPROVALS	
US:	UL LISTED
CANADA:	C-UL LISTED
ROHS:	YES
CE:	YES
RATINGS	
PROTECTION CLASS:	UL TYPE 4 & 12, IEC IP69

OTHER LENGTHS AVAILABLE
PLEASE CONSULT FACTORY

PROPRIETARY AND CONFIDENTIAL
THE INFORMATION CONTAINED IN THIS DRAWING IS THE SOLE PROPERTY OF MENCOM CORPORATION. ANY REPRODUCTION IN PART OR AS A WHOLE WITHOUT THE WRITTEN PERMISSION OF MENCOM CORPORATION IS PROHIBITED.

VOLTS	300V
AMPS	4A
TEMP:	105°C

UNLESS OTHERWISE SPECIFIED:	DRAWN BY	ADM
DIMENSIONS ARE IN INCHES AND [MM]	DRAWN DATE	10/27/2021
	CHECKED BY	JJH
	CHECK DATE	10/27/2021
COMMENTS:		
MATERIAL		
FINISH		
DO NOT SCALE DRAWING		

MENCOM CORPORATION		
TITLE: 4 POLE FEM RECP 1/4" NPT		
SIZE	DWG. NO.	REV
B	MDC-4FR-4-ZZ	B
SCALE: 2:1	WEIGHT:	SHEET 1 OF 1