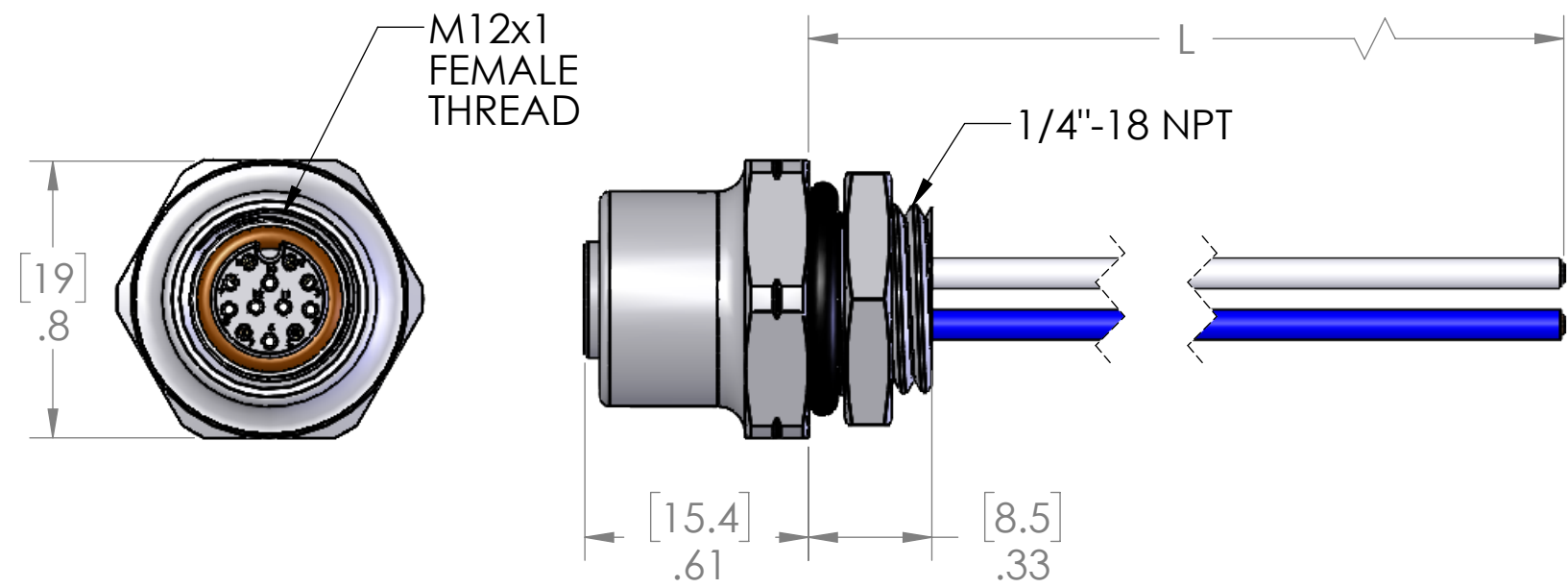


PIN #	COLOR
1	BROWN
2	WHITE
3	BLUE
4	BLACK
5	NOT USED



MATERIALS	
SHELL:	NICKEL PLATED BRASS
CONTACTS:	GOLD PLATED COPPER ALLOY
WIRES:	
STYLE:	UL 1007/1569
AWG:	18/4
JACKET:	PVC
VOLTAGE:	300V
INSERT:	POLYAMIDE
O-RING:	NBR & FPM
NUT:	ZINC PLATED STEEL
APPROVALS	
US:	UL LISTED
CANADA:	C-UL LISTED
ROHS:	YES
CE:	YES
RATINGS	
PROTECTION CLASS:	UL TYPE 4 & 12, IEC IP69

P/N	L
MDC-4FR-4-18	12" [0.3M]
MDC-4FR-4-0.5M-18	20" [0.5M]
MDC-4FR-4-1M-18	40" [1M]
MDC-4FR-4-2M-18	79" [2M]
MDC-4FR-4-3M-18	118" [3M]
MDC-4FR-4-4M-18	157" [4M]
MDC-4FR-4-5M-18	197" [5M]
MDC-4FR-4-10M-18	393" [10M]

OTHER LENGTHS AVAILABLE
PLEASE CONSULT FACTORY

PROPRIETARY AND CONFIDENTIAL
THE INFORMATION CONTAINED IN THIS DRAWING IS THE SOLE PROPERTY OF MENCOM CORPORATION. ANY REPRODUCTION IN PART OR AS A WHOLE WITHOUT THE WRITTEN PERMISSION OF MENCOM CORPORATION IS PROHIBITED.

VOLTS	300V
AMPS	4A
TEMP:	105°C

UNLESS OTHERWISE SPECIFIED:	DRAWN BY	ADM
DIMENSIONS ARE IN INCHES AND [MM]	DRAWN DATE	11/27/2023
	CHECKED BY	JJH
	CHECK DATE	10/27/2021
MATERIAL	COMMENTS:	
FINISH		
DO NOT SCALE DRAWING		

MENCOM CORPORATION		
TITLE: 4 PL FM M12 MDC RECP 18 AWG		
SIZE	DWG. NO.	REV
B	MDC-4FR-4-ZZ-18	B
SCALE: 2:1	WEIGHT:	SHEET 1 OF 1