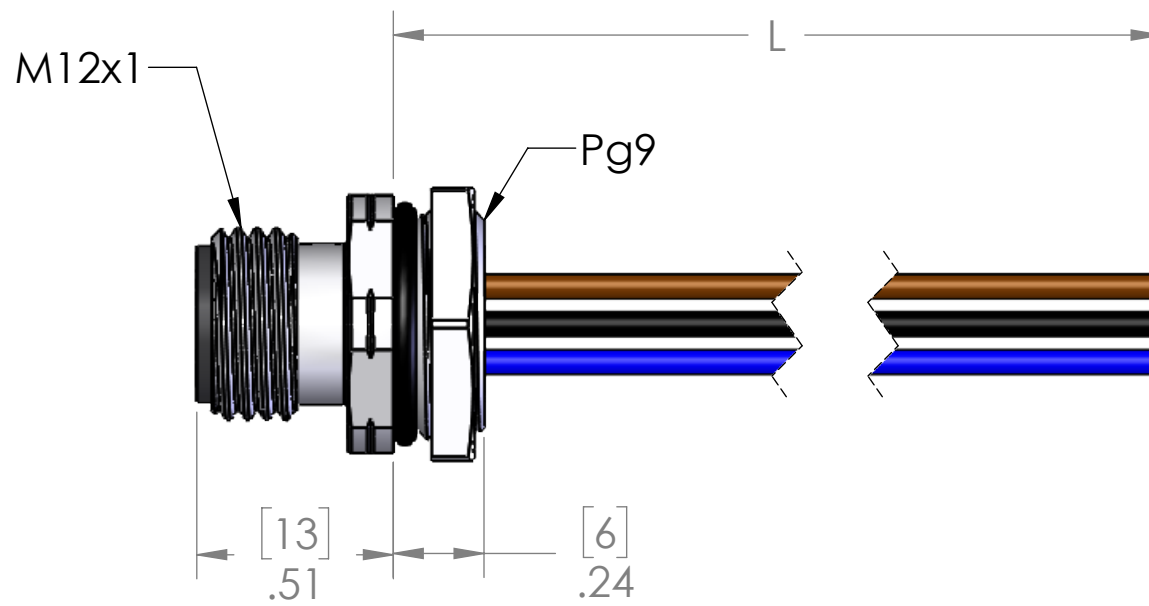
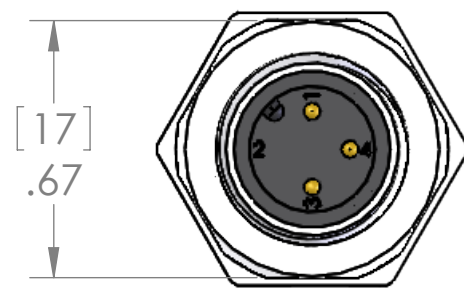


PIN #	COLOR
1	BROWN
2	N/A
3	BLUE
4	BLACK



MATERIALS	
SHELL:	NICKEL PLATED BRASS
CONTACTS:	GOLD PLATED COPPER ALLOY
WIRES:	
STYLE:	UL 1007/1569
AWG:	22 AWG
JACKET:	PVC
VOLTAGE:	300V
INSERT:	POLYAMIDE
O-RING:	NBR
NUT:	NICKEL PLATED BRASS
APPROVALS	
US:	UL LISTED
CANADA:	C-UL LISTED
ROHS:	YES
CE & UKCA:	YES
RATINGS	
PROTECTION CLASS:	UL TYPE 4 & 12, IEC IP69

P/N	L
MDC-3MR-PG9	12" [0.3M]
MDC-3MR-PG9-0.5M	20" [0.5M]
MDC-3MR-PG9-0.6M	24" [0.6M]
MDC-3MR-PG9-1M	40" [1M]
MDC-3MR-PG9-2M	79" [2M]
MDC-3MR-PG9-3M	118" [3M]
MDC-3MR-PG9-4M	157" [4M]
MDC-3MR-PG9-5M	197" [5M]

OTHER LENGTHS ARE AVAILABLE
PLEASE CONSULT FACTORY

UNLESS OTHERWISE SPECIFIED: DIMENSIONS ARE IN INCHES AND [MM]	DRAWN BY	ADM
	DRAWN DATE	06/30/2023
	CHECKED BY	JJH
	CHECK DATE	07/07/2023
COMMENTS:		
MATERIAL		
FINISH		
DO NOT SCALE DRAWING		

MENCOM CORPORATION		
TITLE: 3 PL MDC ML RECP		
SIZE	DWG. NO.	REV
B	MDC-3MR-PG9-ZZ	B
SCALE: 2:1	WEIGHT:	SHEET 1 OF 1

PROPRIETARY AND CONFIDENTIAL
THE INFORMATION CONTAINED IN THIS
DRAWING IS THE SOLE PROPERTY OF
MENCOM CORPORATION. ANY
REPRODUCTION IN PART OR AS A WHOLE
WITHOUT THE WRITTEN PERMISSION OF
MENCOM CORPORATION IS
PROHIBITED.

VOLTS	300V
AMPS	4A
TEMP:	105°C