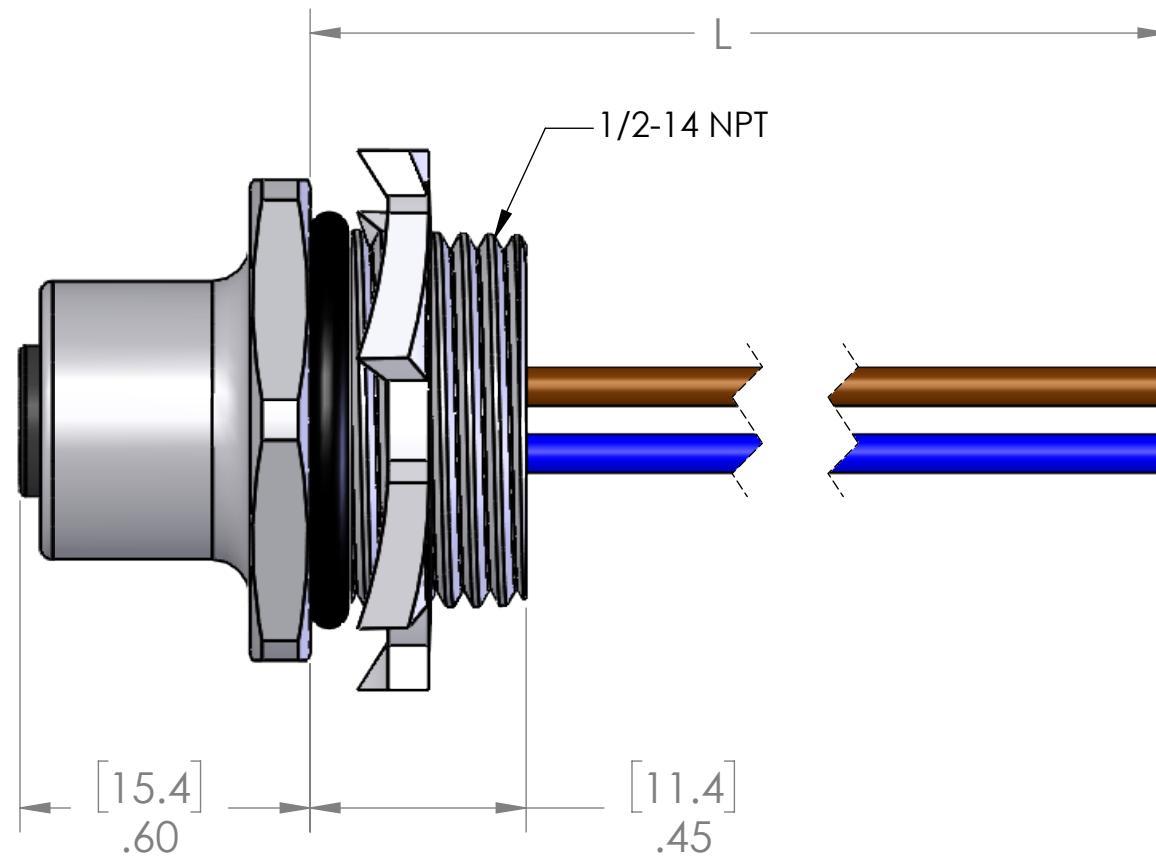
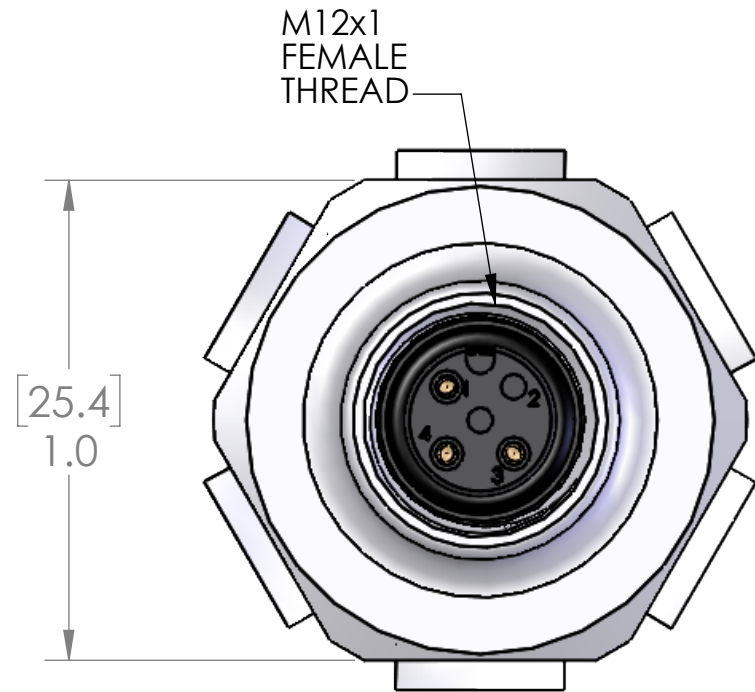


PIN #	COLOR
1	BROWN
2	N/A
3	BLUE
4	BLACK



AN O-RING AND LOCKNUT ARE INCLUDED ON LENGTHS OF 19" AND LONGER.

MATERIALS	
SHELL:	STAINLESS STEEL
CONTACTS:	GOLD PLATED COPPER ALLOY
WIRES:	
STYLE:	UL 1007/1569
AWG:	18/3
JACKET:	PVC
VOLTAGE:	300V
INSERT:	POLYAMIDE
O-RING:	NBR & FPM
NUT:	ZINC PLATED STEEL
APPROVALS	
US:	UL LISTED
CANADA:	C-UL LISTED
ROHS:	YES
CE:	YES
RATINGS	
PROTECTION CLASS:	UL TYPE 4 & 12, IEC IP69

TABLE A	
P/N	L
MDC-3FR-2-18-SS	12" [0.3m]
MDC-3FR-2-1M-18-SS	40" [1m]
MDC-3FR-2-2M-18-SS	79" [2m]
MDC-3FR-2-3M-18-SS	118" [3m]
MDC-3FR-2-5M-18-SS	197" [5m]
MDC-3FR-2-10M-18-SS	393" [10m]

OTHER LENGTHS AVAILABLE
PLEASE CONSULT FACTORY

UNLESS OTHERWISE SPECIFIED: DIMENSIONS ARE IN INCHES AND [MM]	DRAWN BY	JJH
	DRAWN DATE	10/18/2021
	CHECKED BY	JJH
	CHECK DATE	10/20/2021
COMMENTS:		
MATERIAL		
FINISH		
DO NOT SCALE DRAWING		

MENCOM CORPORATION		
TITLE: 3 PL FM MDC RECP SS		
SIZE	DWG. NO.	REV
B	MDC-3FR-2-ZZ-18-SS	B
SCALE: 1:1	WEIGHT:	SHEET 1 OF 1

PROPRIETARY AND CONFIDENTIAL
THE INFORMATION CONTAINED IN THIS DRAWING IS THE SOLE PROPERTY OF MENCOM CORPORATION. ANY REPRODUCTION IN PART OR AS A WHOLE WITHOUT THE WRITTEN PERMISSION OF MENCOM CORPORATION IS PROHIBITED.

VOLTS	300V
AMPS	4A
TEMP:	105°C