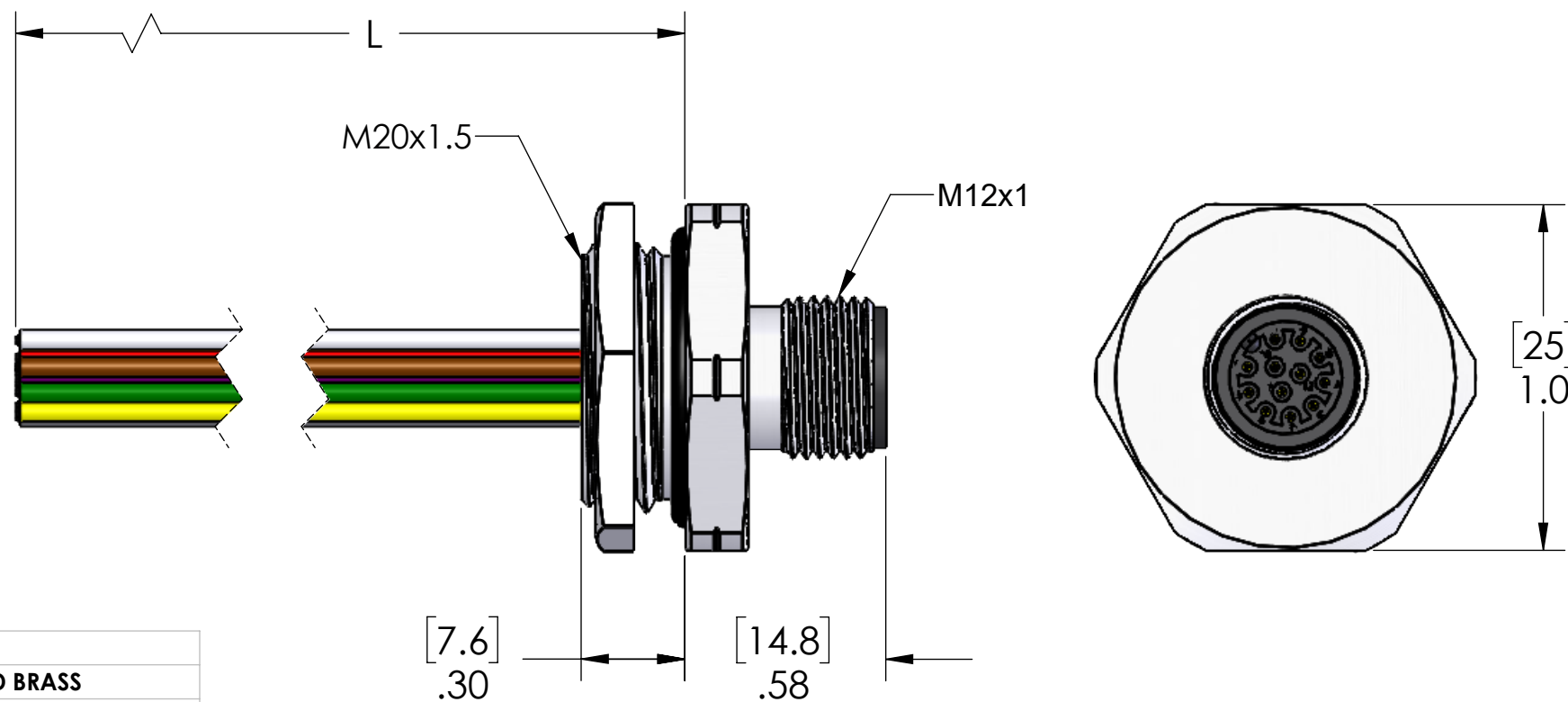


PIN #	COLOR
1	WHITE
2	BROWN
3	GREEN
4	YELLOW
5	GRAY
6	PINK
7	BLUE
8	RED
9	ORANGE
10	TAN
11	BLACK
12	VIOLET



P/N	L
MDC-12MR-M20	12" [0.3m]
MDC-12MR-M20-0.5M	20" [0.5m]
MDC-12MR-M20-1M	40" [1m]
MDC-12MR-M20-2M	79" [2m]
MDC-12MR-M20-3M	118" [3m]
MDC-12MR-M20-5M	197" [5m]

MATERIALS	
SHELL:	NICKEL PLATED BRASS
CONTACTS:	GOLD PLATED COPPER ALLOY
WIRES:	
STYLE:	UL1007/1569
AWG:	24 AWG
JACKET:	PVC
VOLTAGE:	300V
INSERT:	POLYAMIDE
O-RING:	NBR
NUT:	NICKEL PLATED BRASS
APPROVALS	
US:	UL LISTED
CANADA:	C-UL LISTED
ROHS:	YES
CE & UKCA:	YES
RATINGS	
PROTECTION CLASS:	IEC IP69

OTHER LENGTHS AVAILABLE
PLEASE CONSULT FACTORY

PROPRIETARY AND CONFIDENTIAL
THE INFORMATION CONTAINED IN THIS DRAWING IS THE SOLE PROPERTY OF MENCOM CORPORATION. ANY REPRODUCTION IN PART OR AS A WHOLE WITHOUT THE WRITTEN PERMISSION OF MENCOM CORPORATION IS PROHIBITED.

VOLTS	30V
AMPS	2A
TEMP:	105°C

UNLESS OTHERWISE SPECIFIED:	DRAWN BY	ADM
DIMENSIONS ARE IN INCHES AND [MM]	DRAWN DATE	03/14/2023
	CHECKED BY	ADM
	CHECK DATE	03/14/2023
MATERIAL	COMMENTS:	
FINISH		
DO NOT SCALE DRAWING		

MENCOM CORPORATION		
TITLE: 12 POL MDC MAL RECP, M20		
SIZE	DWG. NO.	REV
B	MDC-12MR-M20-ZZ	C
SCALE: 2:1	WEIGHT:	SHEET 1 OF 1