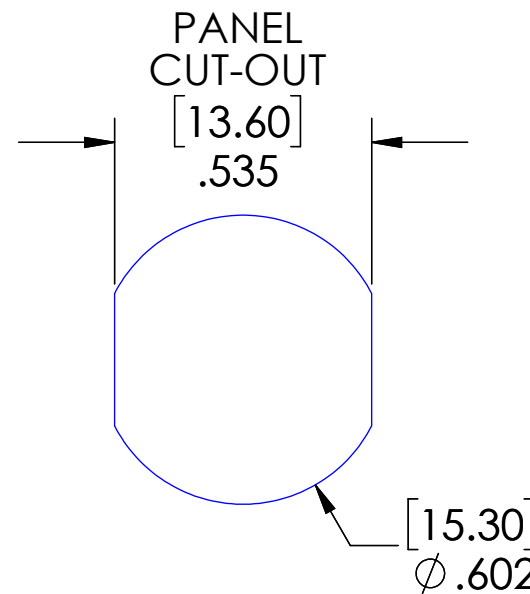
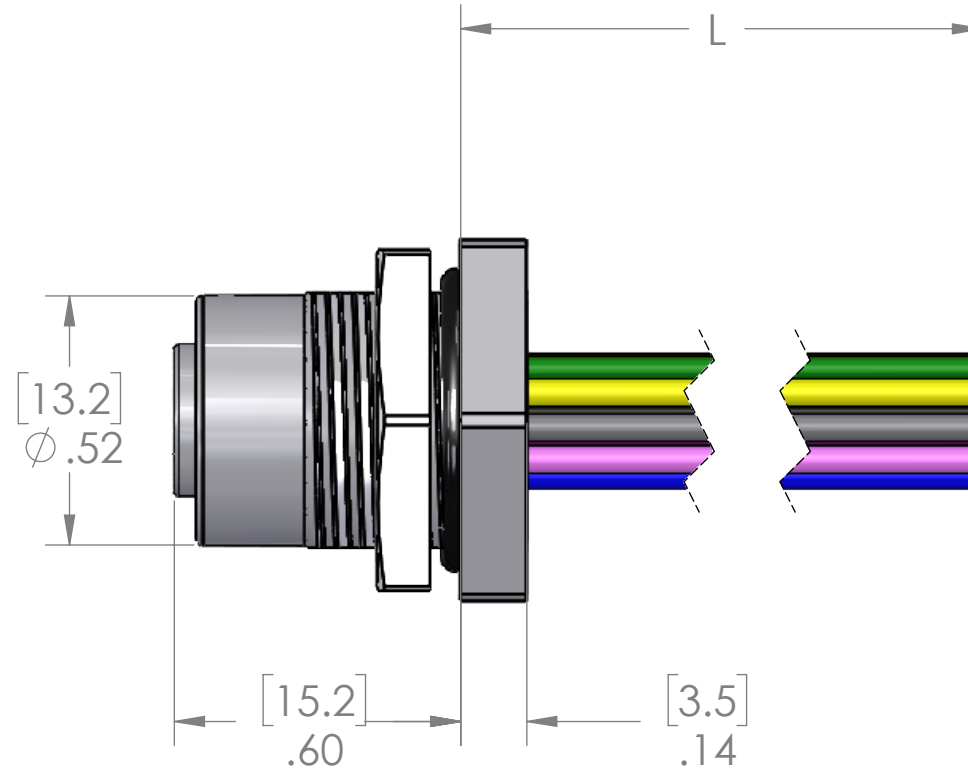
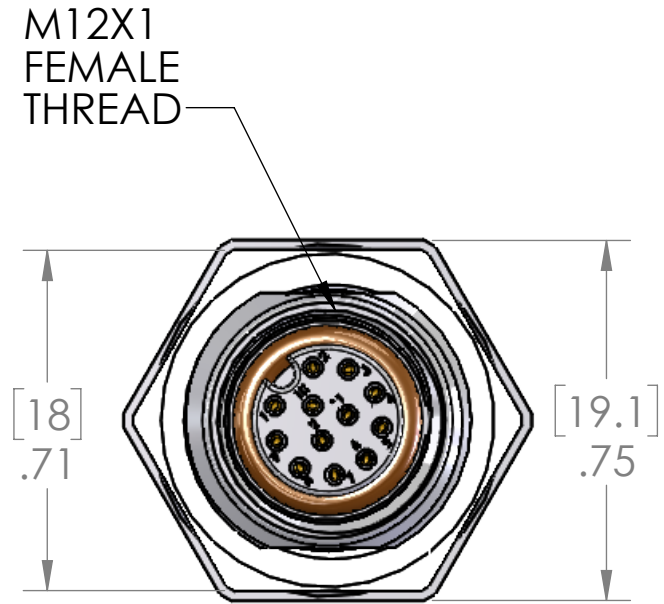


PIN #	COLOR
1	WHITE
2	BROWN
3	GREEN
4	YELLOW
5	GRAY
6	PINK
7	BLUE
8	RED
9	ORANGE
10	TAN (LT BRWN)
11	BLACK
12	VIOLET



P/N	L
MDC-12FR-BM	12" [0.3m]
MDC-12FR-BM-0.5M	20" [0.5m]
MDC-12FR-BM-0.6M	24" [0.6m]
MDC-12FR-BM-1M	40" [1m]
MDC-12FR-BM-2M	79" [2m]
MDC-12FR-BM-3M	118" [3m]
MDC-12FR-BM-5M	197" [5m]

OTHER LENGTHS AVAILABLE,
PLEASE CONSULT FACTORY

MATERIALS	
SHELL:	NICKEL PLATED BRASS
CONTACTS:	GOLD PLATED COPPER ALLOY
WIRES:	
STYLE:	UL1007/1569
AWG:	24 AWG
JACKET:	PVC
VOLTAGE:	300V
INSERT:	POLYAMIDE
O-RING:	FPM & NBR
NUT:	NICKEL PLATED BRASS
APPROVALS	
US:	UL LISTED
CANADA:	C-UL LISTED
ROHS:	YES
CE & UKCA:	YES
RATINGS	
PROTECTION CLASS:	IEC IP69

PROPRIETARY AND CONFIDENTIAL
THE INFORMATION CONTAINED IN THIS DRAWING IS THE SOLE PROPERTY OF MENCOM CORPORATION. ANY REPRODUCTION IN PART OR AS A WHOLE WITHOUT THE WRITTEN PERMISSION OF MENCOM CORPORATION IS PROHIBITED.

VOLTS	30V
AMPS	2A
TEMP:	105°C

UNLESS OTHERWISE SPECIFIED:	DRAWN BY	JJH
DIMENSIONS ARE IN INCHES AND [MM]	DRAWN DATE	07/07/2023
	CHECKED BY	RP
	CHECK DATE	07/10/2023
COMMENTS:		
DO NOT SCALE DRAWING		

MENCOM CORPORATION		
TITLE: 12 PL MDC FM BK MT RCP		
SIZE	DWG. NO.	REV
B	MDC-12FR-BM-ZZ	B
SCALE: 2.5:1	WEIGHT:	SHEET 1 OF 1