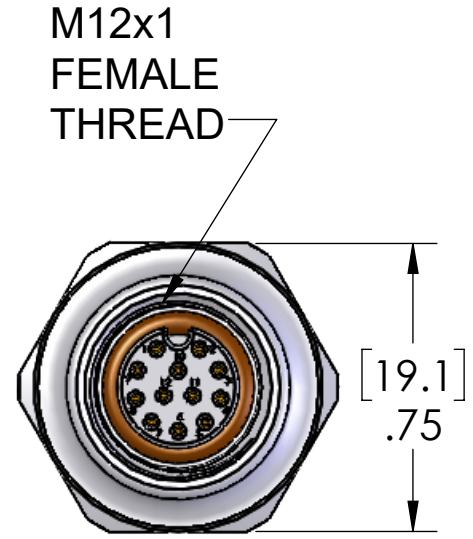
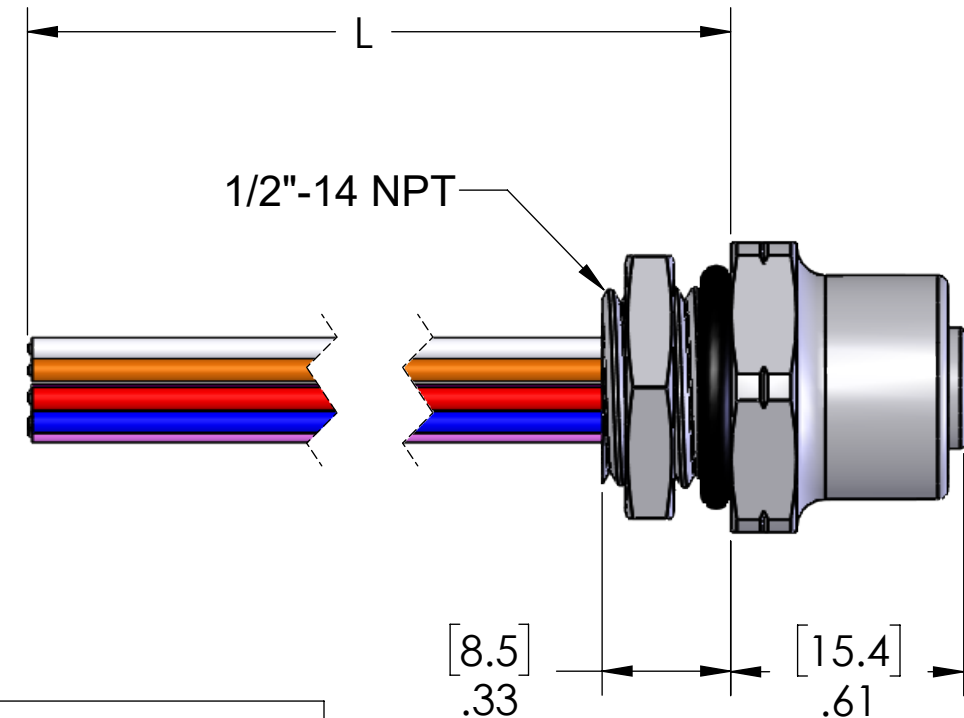


PIN #	COLOR	PIN #	COLOR
1	WHITE	7	BLUE
2	BROWN	8	RED
3	GREEN	9	ORANGE
4	YELLOW	10	TAN (LT BRWN)
5	GRAY	11	BLACK
6	PINK	12	VIOLET



P/N	L
MDC-12FR-4	12" [0.3m]
MDC-12FR-4-0.5M	20" [0.5m]
MDC-12FR-4-0.6M	24" [0.6m]
MDC-12FR-4-1M	40" [1m]
MDC-12FR-4-2M	79" [2m]
MDC-12FR-4-3M	118" [3m]
MDC-12FR-4-4M	157" [4m]
MDC-12FR-4-5M	197" [5m]
MDC-12FR-4-10M	393" [10m]

OTHER LENGTHS AVAILABLE  
PLEASE CONSULT FACTORY

<b>MATERIALS</b>	
SHELL:	NICKEL PLATED BRASS
CONTACTS:	GOLD PLATED COPPER ALLOY
<b>WIRES:</b>	
STYLE:	UL 1007/1569
AWG:	24AWG
JACKET:	PVC
VOLTAGE:	300V
INSERT:	POLYAMIDE
O-RING:	FPM & NBR
NUT:	NICKEL PLATED BRASS
<b>APPROVALS</b>	
US:	UL LISTED
CANADA:	C-UL LISTED
ROHS:	YES
CE & UKCA:	YES
<b>RATINGS</b>	
PROTECTION CLASS:	IEC IP69

**PROPRIETARY AND CONFIDENTIAL**  
THE INFORMATION CONTAINED IN THIS DRAWING IS THE SOLE PROPERTY OF MENCOM CORPORATION. ANY REPRODUCTION IN PART OR AS A WHOLE WITHOUT THE WRITTEN PERMISSION OF MENCOM CORPORATION IS PROHIBITED.

VOLTS	30V
AMPS	2A
TEMP:	105°C

UNLESS OTHERWISE SPECIFIED:	DRAWN BY	JJH
DIMENSIONS ARE IN INCHES AND [MM]	DRAWN DATE	07/31/2023
	CHECKED BY	DCG
	CHECK DATE	07/31/2023
COMMENTS:		
MATERIAL		
FINISH		
DO NOT SCALE DRAWING		

MENCOM CORPORATION		
TITLE:		
SIZE	DWG. NO.	REV
<b>B</b>	MDC-12FR-4-ZZ	<b>A</b>
SCALE: 1:1	WEIGHT:	SHEET 1 OF 1