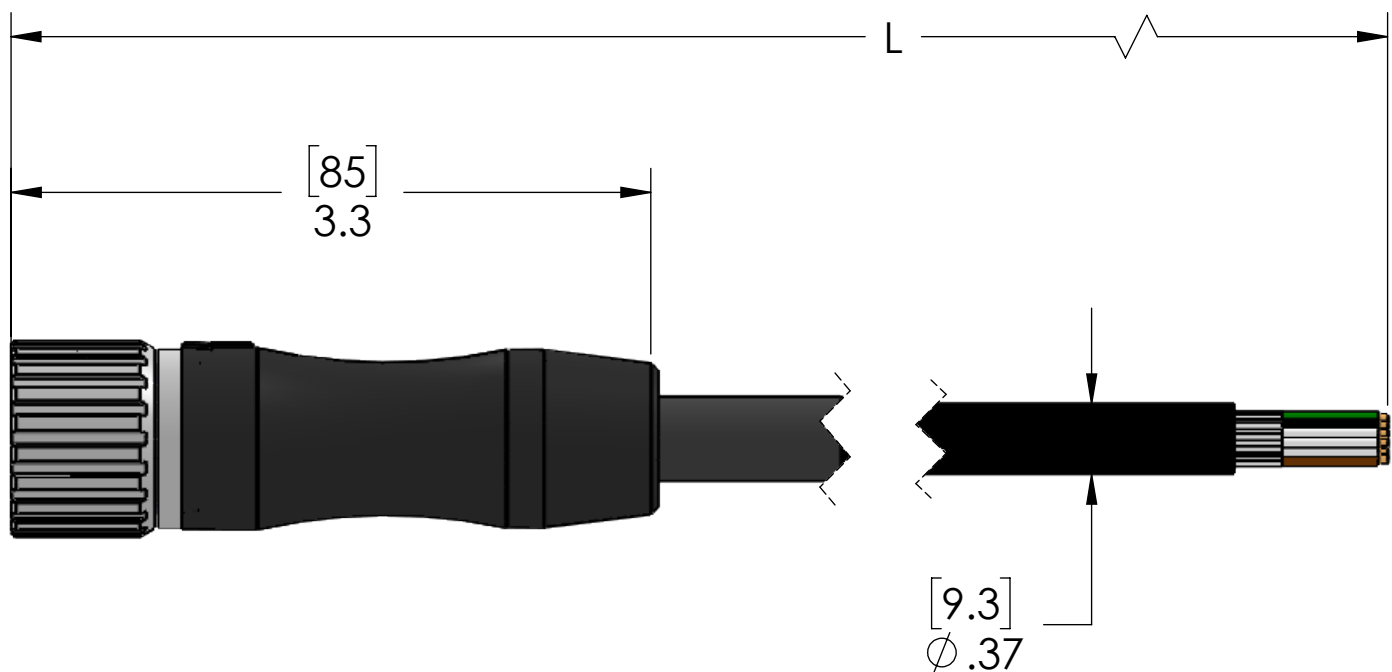
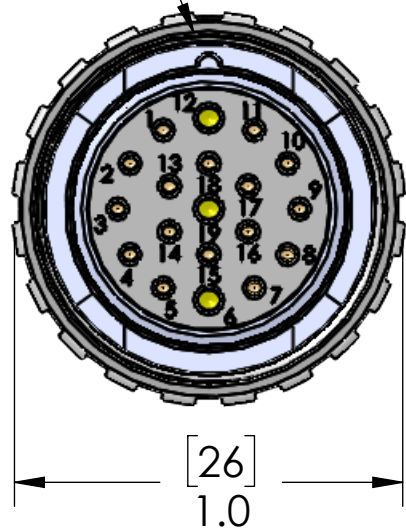


PIN #	COLOR	PIN #	COLOR
1	VIOLET	11	BLACK
2	RED	12	GREEN / YELLOW
3	GRAY	13	YELLOW W/BROWN
4	RED W/BLUE	14	BROWN W/GREEN
5	GREEN	15	WHITE
6	BLUE	16	YELLOW
7	GRAY W/PINK	17	PINK
8	WHITE W/GREEN	18	GRAY W/BROWN
9	WHITE W/YELLOW	19	BROWN
10	WHITE W/GRAY		

PINS 6, 12 & 19 ARE 18AWG.  
ALL OTHERS ARE 22AWG

M23x1  
Female  
Thread



P/N	L	STD?
MCVWF-19FP-1M	40" [1m]	YES
MCVWF-19FP-2M	79" [2m]	YES
MCVWF-19FP-3M	118" [3m]	NO
MCVWF-19FP-4M	157" [4m]	NO
MCVWF-19FP-5M	197" [5m]	YES
MCVWF-19FP-6M	236" [6m]	NO
MCVWF-19FP-7M	276" [7m]	NO
MCVWF-19FP-8M	315" [8m]	NO
MCVWF-19FP-10M	393" [10m]	YES
MCVWF-19FP-15M	590" [15m]	YES
MCVWF-19FP-20M	786" [20m]	YES

LENGTHS THAT ARE NOT LISTED AS  
STANDARD MAY REQUIRE MINIMUM ORDERS

MATERIALS:	
BODY:	BLACK PUR
INSERT:	PBT
CONTACTS:	GOLD PLATED COPPER ALLOY
SHELL:	NICKEL PLATED BRASS
O-RINGS:	NBR
CABLE:	18/3, 22/16 HI-FLEX BLACK TPE
FLEXING:	10MM FLEX (MINIMUM BEND RADIUS OF 10X CABLE OD)

Please note that to better serve the varying needs of our customers, these parts have been UL tested for two different amperage ratings as shown by our Ratings table.

RATINGS:	
PIN 12	GROUND
PINS 6 & 19	150V, 10A
ALL OTHERS	150V, 1A
<b>OR</b>	
PIN 12	GROUND
PINS 6 & 19	150V, 9A
ALL OTHERS	150V, 2A

UNLESS OTHERWISE SPECIFIED:	
DRAWN BY	JJH
DRAWN DATE	05/16/2019
CHECKED BY	DWM
CHECK DATE	05/16/2019
COMMENTS:	
DO NOT SCALE DRAWING	

MENCOM CORPORATION

TITLE:  
19 PL FEM MCV CBL TPE

APPROVALS:	
US:	UL LISTED
CANADA:	C-UL LISTED

**PROPRIETARY AND CONFIDENTIAL**  
THE INFORMATION CONTAINED IN THIS DRAWING IS THE SOLE PROPERTY OF MENCOM CORPORATION. ANY REPRODUCTION IN PART OR AS A WHOLE WITHOUT THE WRITTEN PERMISSION OF MENCOM CORPORATION IS PROHIBITED.

VOLTS	150V
AMPS	10A/1A OR 9A/2A
TEMP:	90°C

SIZE	DWG. NO.	REV
<b>B</b>	MCVWF-19FP-ZZ	<b>B</b>
SCALE: 1:1	WEIGHT:	SHEET 1 OF 1