

PIN #	COLOR	PIN #	COLOR
1	VIOLET	11	BLACK
2	RED	12	GREEN / YELLOW
3	GRAY	13	YELLOW w/BROWN
4	RED w/BLUE	14	BROWN w/GREEN
5	GREEN	15	WHITE
6	BLUE	16	YELLOW
7	GRAY w/PINK	17	PINK
8	WHITE w/GREEN	18	GRAY w/BROWN
9	WHITE w/YELLOW	19	BROWN
10	WHITE w/GRAY		

DETAIL A  
SCALE 2 : 1

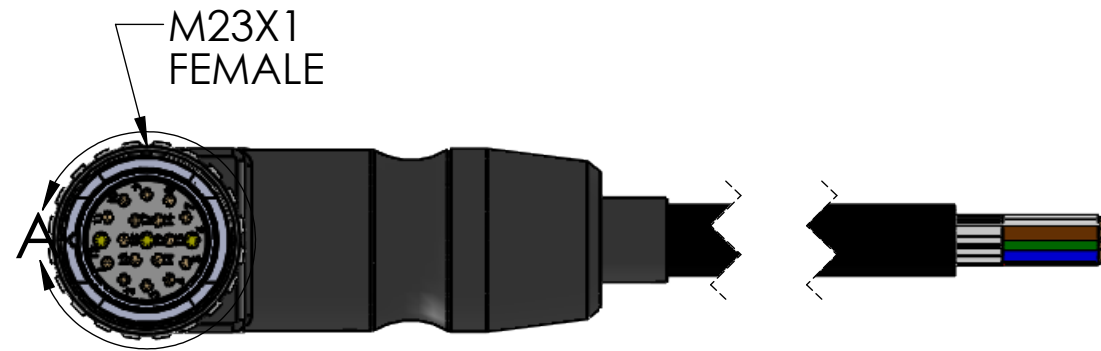
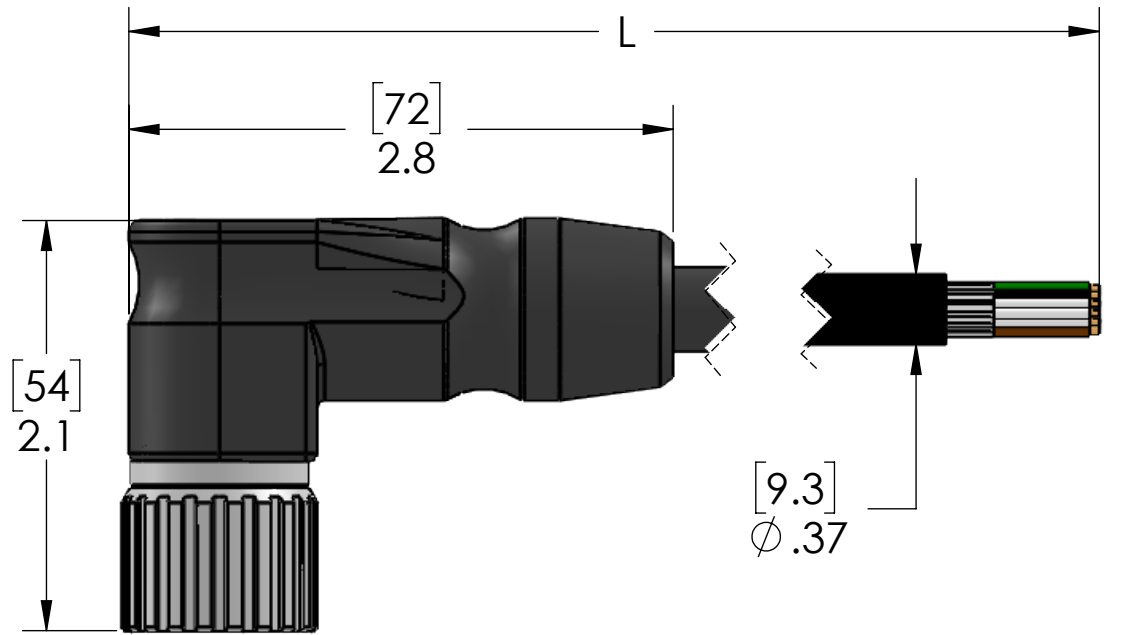
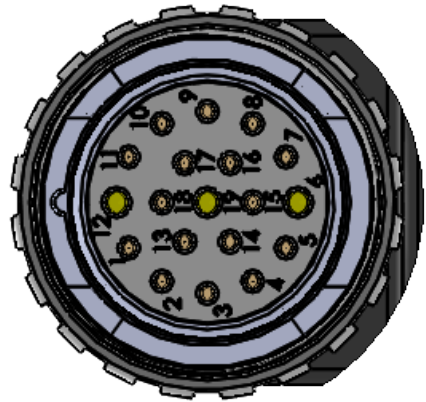


TABLE A		
P/N	L	STD?
MCVWF-19FP-1M-R	40" [1m]	YES
MCVWF-19FP-2M-R	79" [2m]	YES
MCVWF-19FP-3M-R	118" [3m]	NO
MCVWF-19FP-4M-R	157" [4m]	YES
MCVWF-19FP-5M-R	197" [5m]	YES
MCVWF-19FP-6M-R	236" [6m]	NO
MCVWF-19FP-8M-R	315" [8m]	NO
MCVWF-19FP-10M-R	393" [10m]	YES
MCVWF-19FP-15M-R	590" [15m]	YES
MCVWF-19FP-20M-R	786" [20m]	NO

LENGTHS THAT ARE NOT LISTED AS STANDARD MAY REQUIRE MINIMUM ORDERS

<b>MATERIALS:</b>	
<b>BODY:</b>	BLACK PUR
<b>INSERT:</b>	PBT
<b>CONTACTS:</b>	GOLD PLATED COPPER ALLOY
<b>SHELL:</b>	NICKEL PLATED BRASS
<b>O-RINGS:</b>	NBR
<b>CABLE:</b>	18/3, 22/16 HI-FLEX BLACK TPE
<b>FLEXING:</b>	10MM FLEX (MINIMUM BEND RADIUS OF 10X CABLE OD)

<b>APPROVALS:</b>	
<b>US:</b>	UL LISTED
<b>CANADA:</b>	C-UL LISTED

Please note that to better serve the varying needs of our customers, these parts have been UL tested for two different amperage ratings as shown by our Ratings table.

<b>RATINGS:</b>	
PIN 12	GROUND
PINS 6 & 19	150V, 10A
ALL OTHERS	150V, 1A
<b>OR</b>	
PIN 12	GROUND
PINS 6 & 19	150V, 9A
ALL OTHERS	150V, 2A

**PROPRIETARY AND CONFIDENTIAL**  
THE INFORMATION CONTAINED IN THIS DRAWING IS THE SOLE PROPERTY OF MENCOM CORPORATION. ANY REPRODUCTION IN PART OR AS A WHOLE WITHOUT THE WRITTEN PERMISSION OF MENCOM CORPORATION IS PROHIBITED.

<b>VOLTS</b>	150V
<b>AMPS</b>	10A/1A OR 9A/2A
<b>TEMP:</b>	90°C

UNLESS OTHERWISE SPECIFIED: DIMENSIONS ARE IN INCHES AND [MM]	DRAWN BY	ADM
	DRAWN DATE	05/16/2019
	CHECKED BY	DWM
	CHECK DATE	05/16/2019
COMMENTS:		
DO NOT SCALE DRAWING		

<b>MENCOM CORPORATION</b>		
TITLE: <b>19 PL RA FEM MCV HIFLX CBL PVC</b>		
SIZE	DWG. NO.	REV
<b>B</b>	<b>MCVWF-19FP-ZZ-R</b>	<b>B</b>
SCALE: 3:2	WEIGHT:	SHEET 1 OF 1