

PIN #	COLOR	PIN #	COLOR
1	VIOLET	11	BLACK
2	RED	12	GREEN / YELLOW
3	GRAY	13	YELLOW W/BROWN
4	RED W/BLUE	14	BROWN W/GREEN
5	GREEN	15	WHITE
6	BLUE	16	YELLOW
7	GRAY W/PINK	17	PINK
8	WHITE W/GREEN	18	GRAY W/BROWN
9	WHITE W/YELLOW	19	BROWN
10	WHITE W/GRAY		

PINS 6, 12 & 19 ARE 18AWG.  
ALL OTHERS ARE 22AWG

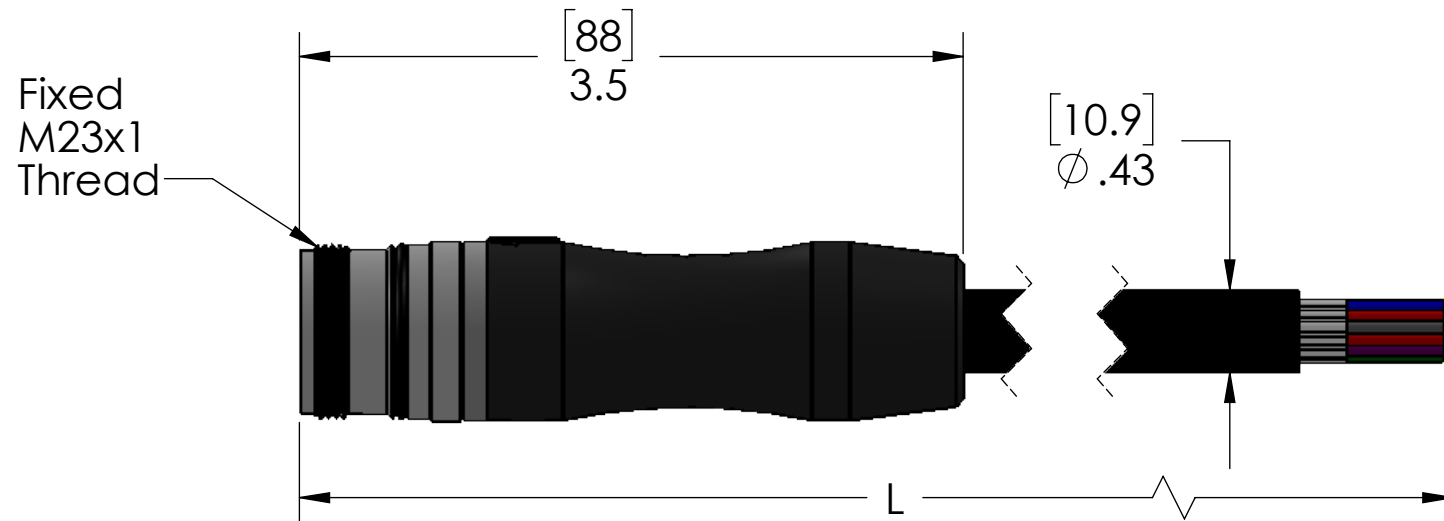
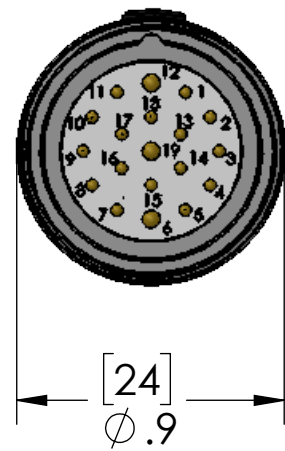


TABLE A		
P/N	L	STD?
MCVP-19MPM-1M	40" [1m]	YES
MCVP-19MPM-2M	79" [2m]	YES
MCVP-19MPM-3M	118" [3m]	NO
MCVP-19MPM-4M	157" [4m]	NO
MCVP-19MPM-5M	197" [5m]	YES
MCVP-19MPM-6M	236" [6m]	NO
MCVP-19MPM-8M	315" [8m]	NO
MCVP-19MPM-10M	393" [10m]	YES
MCVP-19MPM-15M	590" [15m]	YES
MCVP-19MPM-20M	786" [20m]	YES

MATERIALS:	
BODY:	BLACK PUR
INSERT:	PBT
CONTACTS:	GOLD PLATED COPPER ALLOY
SHELL:	NICKEL PLATED BRASS
O-RINGS:	NBR
CABLE:	18/3, 22/16 AWM PUR JACKET w/FOIL SHIELD

Please note that to better serve the varying needs of our customers, these parts have been UL tested for two different amperage ratings as shown by our Ratings table.

RATINGS:	
PIN 12	GROUND
PINS 6 & 19	150V, 10A
ALL OTHERS	150V, 1A
<b>OR</b>	
PIN 12	GROUND
PINS 6 & 19	150V, 9A
ALL OTHERS	150V, 2A

UNLESS OTHERWISE SPECIFIED:	
DRAWN BY	ADM
DRAWN DATE	09/22/2016
CHECKED BY	
CHECK DATE	
COMMENTS:	

LENGTHS THAT ARE NOT LISTED AS STANDARD MAY REQUIRE MINIMUM ORDERS

MENCOM CORPORATION		
TITLE:		
SIZE	DWG. NO.	REV
<b>B</b>	MCVP-19MPM-ZZ	<b>A</b>
SCALE: 1:1	WEIGHT:	SHEET 1 OF 1

**PROPRIETARY AND CONFIDENTIAL**  
THE INFORMATION CONTAINED IN THIS DRAWING IS THE SOLE PROPERTY OF MENCOM CORPORATION. ANY REPRODUCTION IN PART OR AS A WHOLE WITHOUT THE WRITTEN PERMISSION OF MENCOM CORPORATION IS PROHIBITED.

VOLTS	150V
AMPS	10A/1A OR 9A/2A
TEMP:	80°C

MATERIAL  
FINISH  
DO NOT SCALE DRAWING