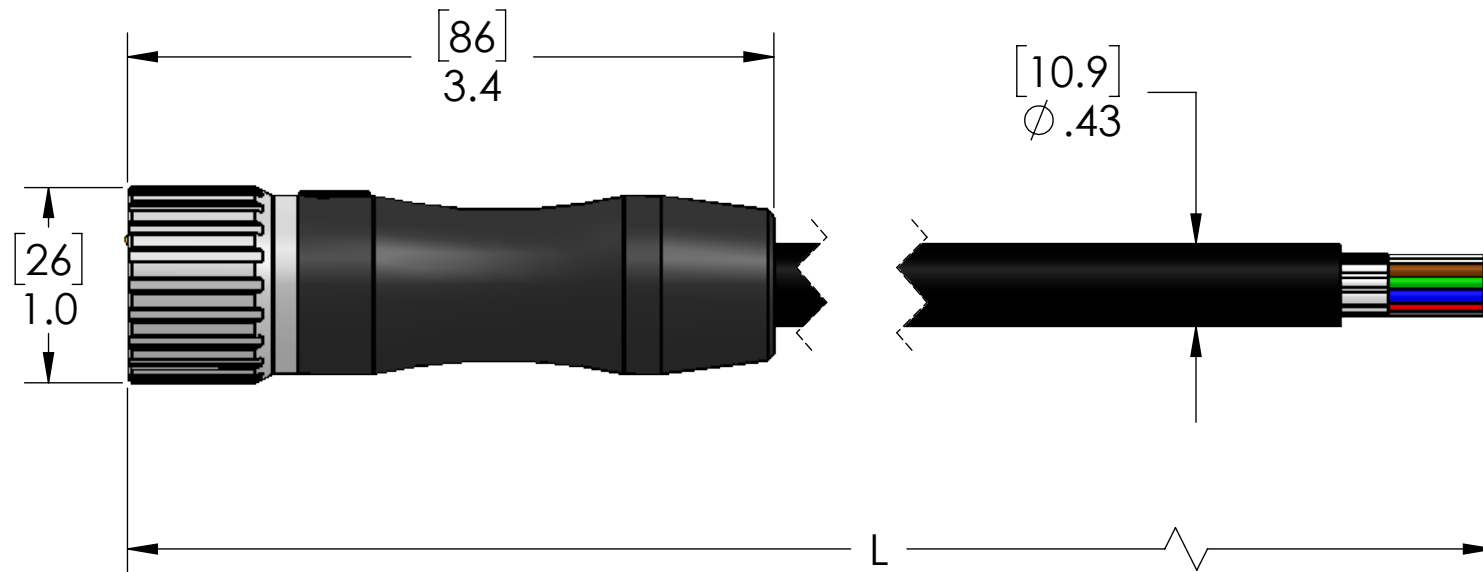
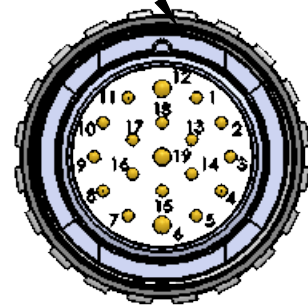


PIN #	COLOR	PIN #	COLOR
1	VIOLET	11	BLACK
2	RED	12	GREEN / YELLOW
3	GRAY	13	YELLOW W/BROWN
4	RED W/BLUE	14	BROWN W/GREEN
5	GREEN	15	WHITE
6	BLUE	16	YELLOW
7	GRAY W/PINK	17	PINK
8	WHITE W/GREEN	18	GRAY W/BROWN
9	WHITE W/YELLOW	19	BROWN
10	WHITE W/GRAY		

PINS 6, 12 & 19 ARE 18AWG.
ALL OTHERS ARE 22AWG

M23x1
Female
Thread



MATERIALS:	
BODY:	BLACK PUR
INSERT:	PBT
CONTACTS:	GOLD PLATED COPPER ALLOY
COUPLINGS:	NICKEL PLATED BRASS
O-RINGS:	NBR
CABLE:	18/3, 22/16 AWM PUR JACKET w/FOIL SHIELD

APPROVALS:	
US:	UL LISTED
CANADA:	C-UL LISTED

Please note that to better serve the varying needs of our customers, these parts have been UL tested for two different amperage ratings as shown by our Ratings table.

RATINGS:	
PIN 12	GROUND
PINS 6 & 19	150V, 10A
ALL OTHERS	150V, 1A
OR	
PIN 12	GROUND
PINS 6 & 19	150V, 9A
ALL OTHERS	150V, 2A

UNLESS OTHERWISE SPECIFIED:	NAME
DIMENSIONS ARE IN INCHES AND [MM]	JJH
MATERIAL	
FINISH	
DO NOT SCALE DRAWING	

TABLE A		
P/N	L	STD?
MCVP-19MP-1M	40" [1m]	YES
MCVP-19MP-2M	79" [2m]	YES
MCVP-19MP-3M	118" [3m]	NO
MCVP-19MP-4M	157" [4m]	NO
MCVP-19MP-5M	197" [5m]	YES
MCVP-19MP-6M	236" [6m]	NO
MCVP-19MP-8M	315" [8m]	NO
MCVP-19MP-10M	393" [10m]	YES
MCVP-19MP-15M	590" [15m]	YES
MCVP-19MP-20M	786" [20m]	YES

LENGTHS THAT ARE NOT LISTED AS STANDARD MAY REQUIRE MINIMUM ORDERS

PROPRIETARY AND CONFIDENTIAL
THE INFORMATION CONTAINED IN THIS DRAWING IS THE SOLE PROPERTY OF MENCOM CORPORATION. ANY REPRODUCTION IN PART OR AS A WHOLE WITHOUT THE WRITTEN PERMISSION OF MENCOM CORPORATION IS PROHIBITED.

VOLTS	150V
AMPS	10A/1A OR 9A/2A
TEMP	80°C
SPECIFICATIONS	

DRAWN			NAME		
CHECKED			JJH		
ENG APPR.			MENCOM CORPORATION		
MFG APPR.					
Q.A.					
COMMENTS:			TITLE:		
			19 POL MAL MCV PLUG		
SIZE	DWG. NO.	REV			
B	MCVP-19MP-ZZ	B			
SCALE: 1:1	WEIGHT:	SHEET 1 OF 1			