

PIN #	COLOR	PIN #	COLOR
1	VIOLET	11	BLACK
2	RED	12	GREEN / YELLOW
3	GRAY	13	YELLOW W/BROWN
4	RED W/BLUE	14	BROWN W/GREEN
5	GREEN	15	WHITE
6	BLUE	16	YELLOW
7	GRAY W/PINK	17	PINK
8	WHITE W/GREEN	18	GRAY W/BROWN
9	WHITE W/YELLOW	19	BROWN
10	WHITE W/GRAY		

PINS 6, 12 & 19 ARE 18AWG.  
ALL OTHERS ARE 22AWG

M23x1  
Female  
Thread

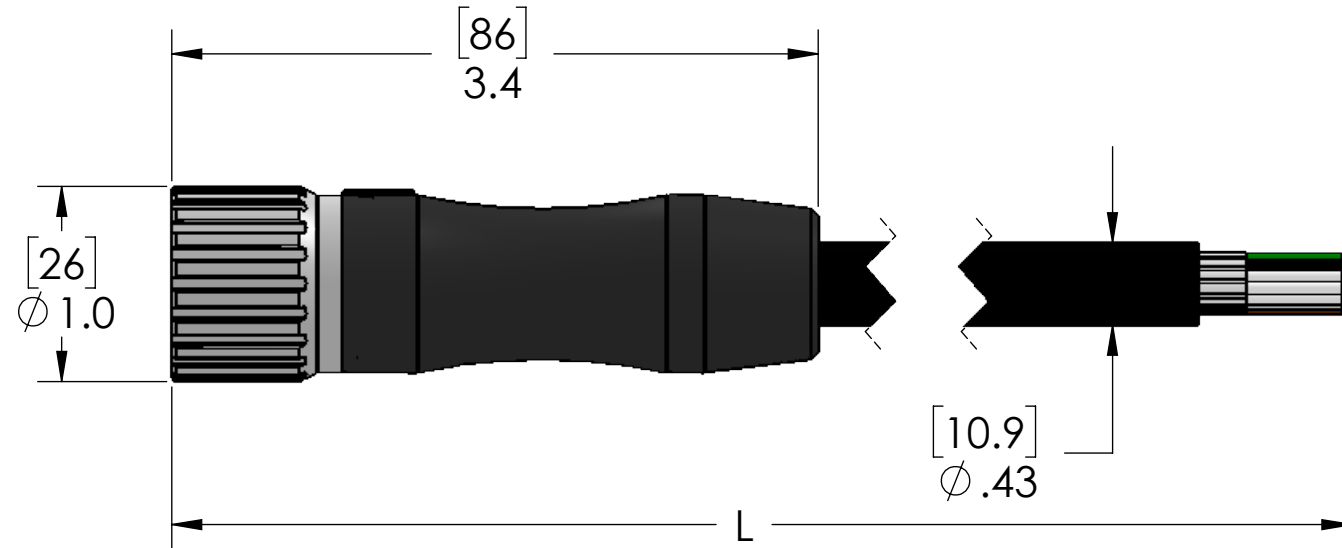
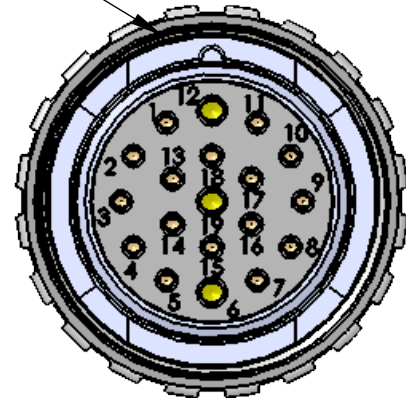


TABLE A	
P/N	L
MCVP-19FP-0.5M	20" (0.5m)
MCVP-19FP-1M	40" (1m)
MCVP-19FP-2M	79" (2m)
MCVP-19FP-3M	118" (3m)
MCVP-19FP-4M	157" (4m)
MCVP-19FP-5M	197" (5m)
MCVP-19FP-6M	236" (6m)
MCVP-19FP-8M	315" (8m)
MCVP-19FP-10M	393" (10m)
MCVP-19FP-15M	590" (15m)
MCVP-19FP-20M	786" (20m)

MATERIALS:	
BODY:	BLACK PUR
INSERT:	PBT
CONTACTS:	GOLD PLATED COPPER ALLOY
LOCKNUT:	NICKEL PLATED BRASS
O-RINGS:	NBR
CABLE:	18/3, 22/16 AWM 20233 PUR JACKETED w/FOIL SHIELD

Please note that to better serve the varying needs of our customers, these parts have been UL tested for two different amperage ratings as shown by our Ratings table.

RATINGS:	
PIN 12	GROUND
PINS 6 & 19	150V, 10A
ALL OTHERS	150V, 1A
OR	
PIN 12	GROUND
PINS 6 & 19	150V, 9A
ALL OTHERS	150V, 2A

UNLESS OTHERWISE SPECIFIED: DIMENSIONS ARE IN INCHES AND [MM]	DRAWN BY	ADM
	DRAWN DATE	09/22/2016
	CHECKED BY	
	CHECK DATE	

MENCOM CORPORATION  
TITLE:  
19 PL FEM MCV CBL

APPROVALS:	
US:	UL LISTED
CANADA:	C-UL LISTED

**PROPRIETARY AND CONFIDENTIAL**  
THE INFORMATION CONTAINED IN THIS DRAWING IS THE SOLE PROPERTY OF MENCOM CORPORATION. ANY REPRODUCTION IN PART OR AS A WHOLE WITHOUT THE WRITTEN PERMISSION OF MENCOM CORPORATION IS PROHIBITED.

VOLTS	150V
AMPS	10A/1A OR 9A/2A
TEMP:	80°C

MATERIAL  
FINISH  
DO NOT SCALE DRAWING

COMMENTS:

SIZE	DWG. NO.	REV
<b>B</b>	MCVP-19FP-ZZ	<b>C</b>
SCALE: 1:1	WEIGHT:	SHEET 1 OF 1