

PIN #	COLOR
1	BROWN
2	BROWN/WHITE
3	BLUE
4	WHITE
5	GREEN
6	YELLOW
7	GRAY
8	PINK
9	RED
10	BLACK
11	VIOLET
12	GREEN / YELLOW

BLUE, BROWN & GRN/YEL WIRES ARE 18AWG.
 ALL OTHERS ARE 22AWG
 (18AWG BLUE & BROWN WIRES RATED AT 6A
 22AWG WIRES RATED AT 2A)

REVISIONS			
REV.	DESCRIPTION	DATE	APPROVED
A	DRAWN IN SW	11/7/2012	DCT

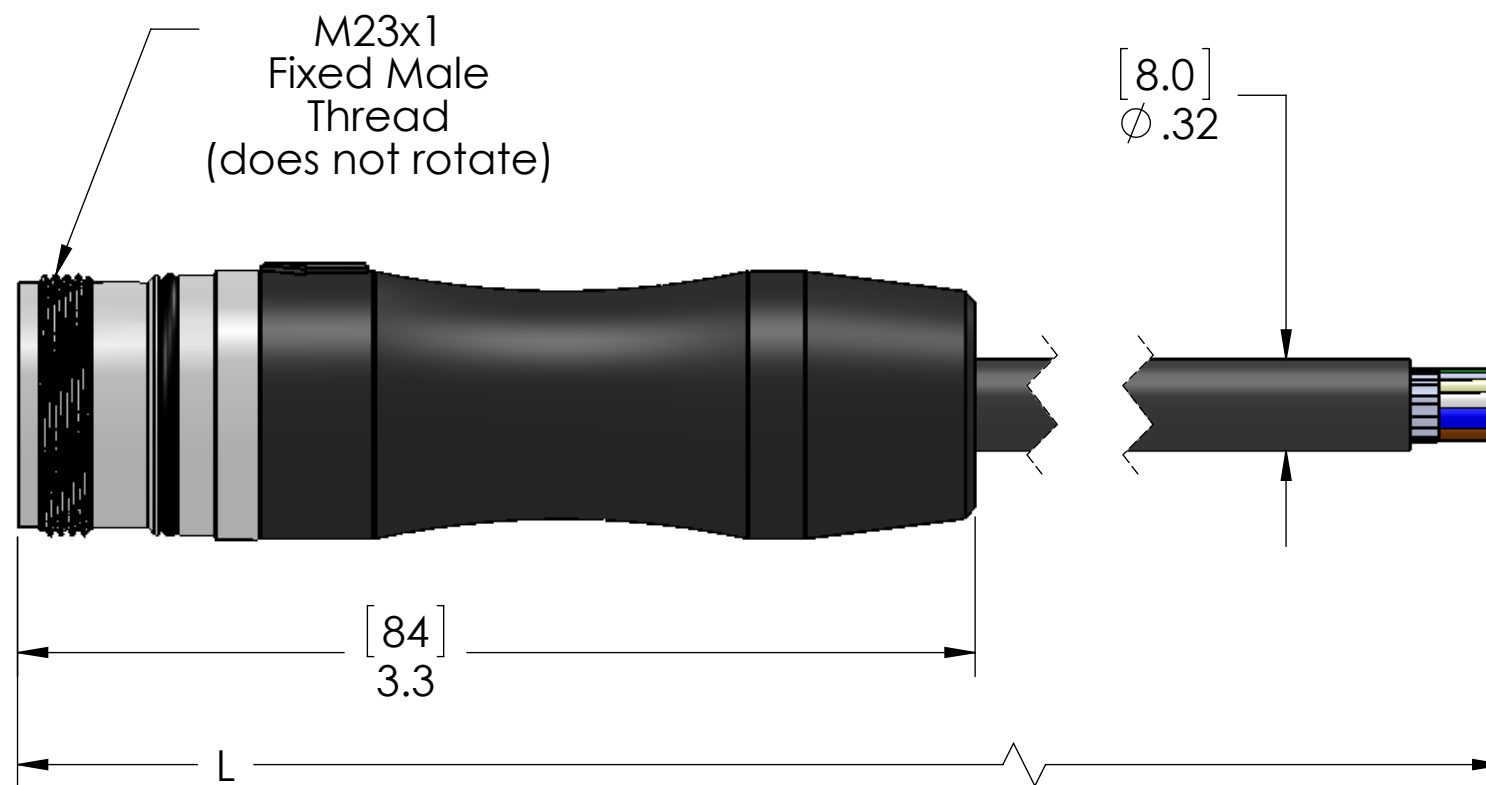
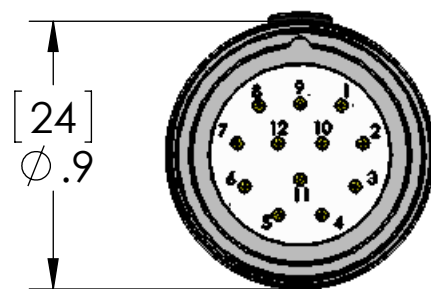


TABLE A	
P/N	L
MCVP-12MPM-1M-B	40" [1m]
MCVP-12MPM-2M-B	79" [2m]
MCVP-12MPM-3M-B	118" [3m]
MCVP-12MPM-4M-B	157" [4m]
MCVP-12MPM-5M-B	197" [5m]
MCVP-12MPM-6M-B	236" [6m]
MCVP-12MPM-8M-B	315" [8m]
MCVP-12MPM-10M-B	393" [10m]
MCVP-12MPM-15M-B	590" [15m]
MCVP-12MPM-20M-B	786" [20m]
MCVP-12MPM-25M-B	983" [25m]
MCVP-12MPM-50M-B	1965" [50m]

Other lengths available
consult factory

MATERIALS:	
BODY:	BLACK PUR
CONTACTS:	GOLD PLATED COPPER ALLOY
COUPLING:	NICKEL PLATED BRASS
CABLE:	18/3, 22/9 AWM 20233 w/FOIL SHIELD

APPROVALS:	
US:	UL LISTED
CANADA:	C-UL LISTED

PROPRIETARY AND CONFIDENTIAL
 THE INFORMATION CONTAINED IN THIS DRAWING IS THE SOLE PROPERTY OF MENCORPORATION. ANY REPRODUCTION IN PART OR AS A WHOLE WITHOUT THE WRITTEN PERMISSION OF MENCORPORATION IS PROHIBITED.

VOLTS	300V
AMPS	6A/2A
TEMP	80C
APPLICATION	

UNLESS OTHERWISE SPECIFIED: DIMENSIONS ARE IN INCHES AND [MM]	
INTERPRET GEOMETRIC TOLERANCING PER:	
MATERIAL	
FINISH	
DO NOT SCALE DRAWING	

NAME	BEM
DRAWN	
CHECKED	
ENG APPR.	
MFG APPR.	
Q.A.	
COMMENTS:	

MENCORPORATION		
TITLE:		
SIZE	DWG. NO.	REV
B	MCVP-12MPM-ZZ	A
SCALE: 3:2	WEIGHT:	SHEET 1 OF 1