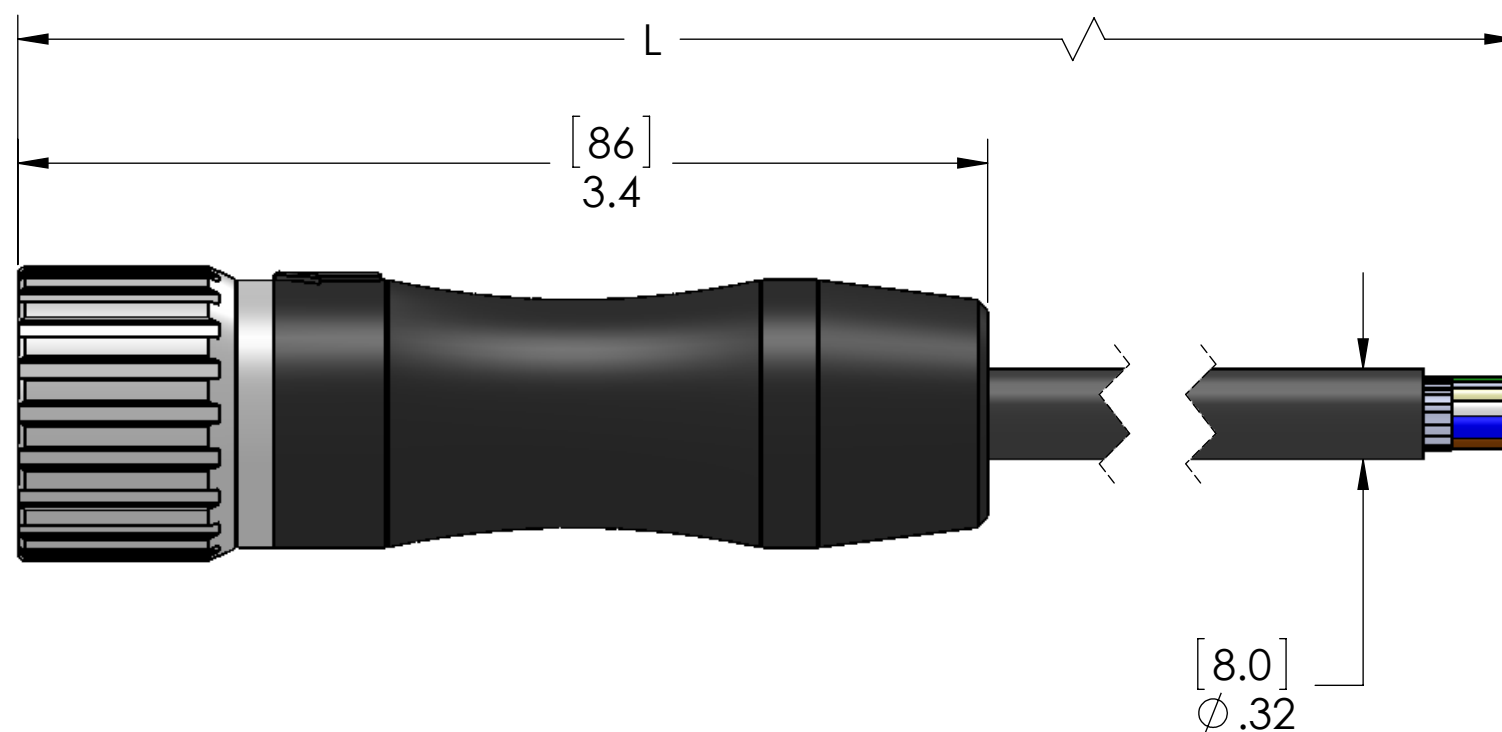
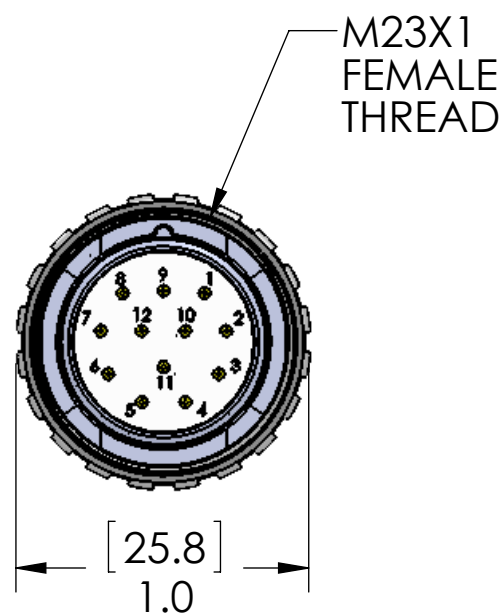


PIN #	COLOR
1	BROWN
2	BROWN/WHITE
3	BLUE
4	WHITE
5	GREEN
6	YELLOW
7	GRAY
8	PINK
9	RED
10	BLACK
11	VIOLET
12	GREEN / YELLOW

BLUE, BROWN & GRN/YEL WIRES ARE 18AWG.
 ALL OTHERS ARE 22AWG
 (18AWG BLUE & BROWN WIRES RATED AT 6A
 22AWG WIRES RATED AT 2A)

REVISIONS			
REV.	DESCRIPTION	DATE	APPROVED
A	DRAWN IN SW	4/14/2014	BEM



P/N	L	STD?
MCVP-12MP-1M	40" [1M]	YES
MCVP-12MP-2M	79" [2M]	YES
MCVP-12MP-3M	118" [3M]	NO
MCVP-12MP-4M	157" [4M]	NO
MCVP-12MP-5M	197" [5M]	YES
MCVP-12MP-6M	240" [6M]	NO
MCVP-12MP-8M	314" [8M]	NO
MCVP-12MP-10M	393" [10M]	YES
MCVP-12MP-15M	590" [15M]	YES
MCVP-12MP-20M	786" [20M]	NO

LENGTHS THAT ARE NOT LISTED AS STANDARD MAY REQUIRE MINIMUM ORDERS

MATERIALS:	
BODY:	BLACK PUR
CONTACTS:	GOLD PLATED COPPER ALLOY
COUPLING:	NICKEL PLATED BRASS
CABLE:	18/3, 22/9 AWM 20233 w/FOIL SHIELD

APPROVALS:	
US:	UL LISTED
CANADA:	C-UL LISTED

PROPRIETARY AND CONFIDENTIAL
 THE INFORMATION CONTAINED IN THIS DRAWING IS THE SOLE PROPERTY OF <INSERT COMPANY NAME HERE>. ANY REPRODUCTION IN PART OR AS A WHOLE WITHOUT THE WRITTEN PERMISSION OF <INSERT COMPANY NAME HERE> IS PROHIBITED.

VOLTS	300V
AMPS	6A / 2A
TEMP?	80°C

APPLICATION DO NOT SCALE DRAWING

UNLESS OTHERWISE SPECIFIED:	
DIMENSIONS ARE IN INCHES	NAME
TOLERANCES:	DRAWN J J H
FRACTIONAL ±	CHECKED
ANGULAR: MACH ± BEND ±	ENG APPR.
TWO PLACE DECIMAL ±	MFG APPR.
THREE PLACE DECIMAL ±	Q.A.
INTERPRET GEOMETRIC TOLERANCING PER:	COMMENTS:
MATERIAL	
FINISH	

MENCOM CORPORATION		
TITLE:		
12 PL MCV MALE PLUG		
SIZE	DWG. NO.	REV
B	MCVP-12MP-ZZ	A
SCALE: 1.5:1	WEIGHT:	SHEET 1 OF 1