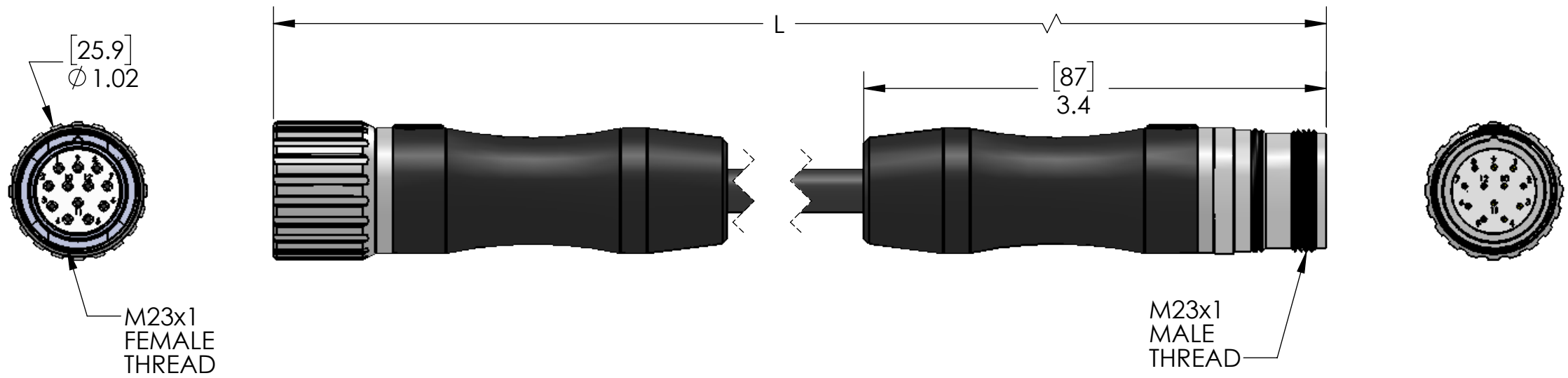


PIN #	COLOR
1	BROWN
2	BROWN/WHITE
3	BLUE
4	WHITE
5	GREEN
6	YELLOW
7	GRAY
8	PINK
9	RED
10	BLACK
11	VIOLET
12	GREEN / YELLOW

PINS 1, 2, 3 & 12 ARE 18AWG.
ALL OTHERS ARE 22AWG



P/N	L
MCVP-12MMFP-1M	40" [1m]
MCVP-12MMFP-2M	79" [2m]
MCVP-12MMFP-3M	118" [3m]
MCVP-12MMFP-4M	157" [4m]
MCVP-12MMFP-5M	197" [5m]
MCVP-12MMFP-6M	236" [6m]
MCVP-12MMFP-8M	315" [8m]
MCVP-12MMFP-10M	393" [10m]
MCVP-12MMFP-15M	590" [15m]
MCVP-12MMFP-20M	786" [20m]
MCVP-12MMFP-25M	983" [25m]
MCVP-12MMFP-50M	1965" [50m]

Other lengths available
consult factory

MATERIALS:	
BODY:	BLACK PUR
INSERT:	PBT
CONTACTS:	GOLD PLATED COPPER ALLOY
LOCKNUT:	NICKEL PLATED BRASS
O-RINGS:	NBR
CABLE:	18/3, 22/9 AWM STYLE w/FOIL SHIELD

APPROVALS:	
US:	UL LISTED
CANADA:	C-UL LISTED

PROPRIETARY AND CONFIDENTIAL
THE INFORMATION CONTAINED IN THIS DRAWING IS THE SOLE PROPERTY OF MENCOM CORPORATION. ANY REPRODUCTION IN PART OR AS A WHOLE WITHOUT THE WRITTEN PERMISSION OF MENCOM CORPORATION IS PROHIBITED.

VOLTS	300V
AMPS	6A/2A
TEMP:	80C

UNLESS OTHERWISE SPECIFIED:	DRAWN BY	ADM
DIMENSIONS ARE IN INCHES AND [MM]	DRAWN DATE	09/22/2016
	CHECKED BY	
	CHECK DATE	
MATERIAL	COMMENTS:	
FINISH		
DO NOT SCALE DRAWING		

MENCOM CORPORATION		
TITLE:		
SIZE	DWG. NO.	REV
B	MCVP-12MMFP-ZZ	A
SCALE: 1:1	WEIGHT:	SHEET 1 OF 1