

PIN #	COLOR
1	BROWN
2	BROWN w/WHITE
3	BLUE
4	WHITE
5	GREEN
6	YELLOW
7	GRAY
8	PINK
9	RED
10	BLACK
11	VIOLET
12	GREEN / YELLOW

BLUE, BROWN & GRN/YEL WIRES ARE 18AWG.  
 ALL OTHERS ARE 22AWG  
 (18AWG BLUE & BROWN WIRES RATED AT 6A  
 22AWG WIRES RATED AT 2A)

REVISIONS			
REV.	DESCRIPTION	DATE	APPROVED
A	REDRAWN IN SW	11/5/2012	
B	REVISED	12/17/2014	

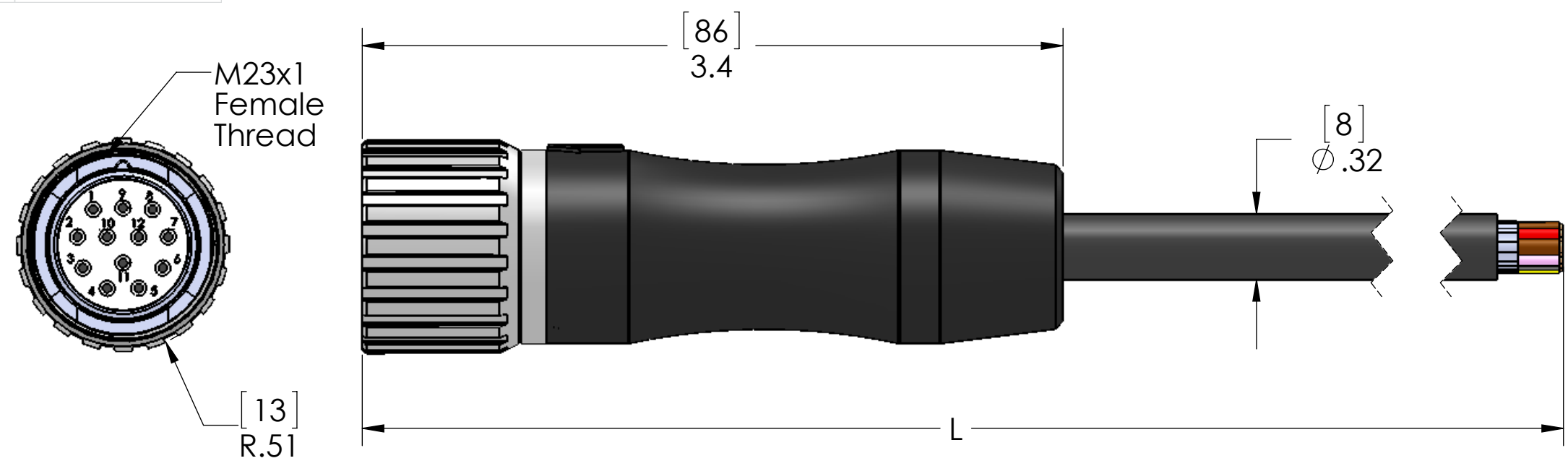


TABLE A	
P/N	L
MCVP-12FP-1M	40" [1m]
MCVP-12FP-2M	79" [2m]
MCVP-12FP-3M	118" [3m]
MCVP-12FP-4M	157" [4m]
MCVP-12FP-5M	197" [5m]
MCVP-12FP-6M	236" [6m]
MCVP-12FP-8M	315" [8m]
MCVP-12FP-10M	393" [10m]
MCVP-12FP-15M	590" [15m]
MCVP-12FP-20M	786" [20m]
MCVP-12FP-25M	983" [25m]
MCVP-12FP-50M	1965" [50m]

Other lengths available  
consult factory

MATERIALS:	
BODY:	BLACK PUR
INSERT:	PBT
CONTACTS:	GOLD PLATED COPPER ALLOY
LOCKNUT:	NICKEL PLATED BRASS
O-RINGS:	NBR
CABLE:	18/3, 22/9 AWM 20233 w/FOIL SHIELD

APPROVALS:	
US:	UL LISTED
CANADA:	C-UL LISTED

**PROPRIETARY AND CONFIDENTIAL**  
 THE INFORMATION CONTAINED IN THIS DRAWING IS THE SOLE PROPERTY OF MENCOM CORPORATION. ANY REPRODUCTION IN PART OR AS A WHOLE WITHOUT THE WRITTEN PERMISSION OF MENCOM CORPORATION IS PROHIBITED.

VOLTS	300V
AMPS	6A / 2A
TEMP	-40C to 80C
APPLICATION	DO NOT SCALE DRAWING

UNLESS OTHERWISE SPECIFIED: DIMENSIONS ARE IN INCHES AND [MM]	NAME	JJH
INTERPRET GEOMETRIC TOLERANCING PER:	DRAWN	
MATERIAL	CHECKED	
FINISH	ENG APPR.	
	MFG APPR.	
	Q.A.	
	COMMENTS:	

MENCOM CORPORATION		
TITLE: 12 PL FEM MCV PLUG		
SIZE	DWG. NO.	REV
<b>B</b>	MCVP-12FP-ZZ	<b>B</b>
SCALE: 3:2	WEIGHT:	SHEET 1 OF 1