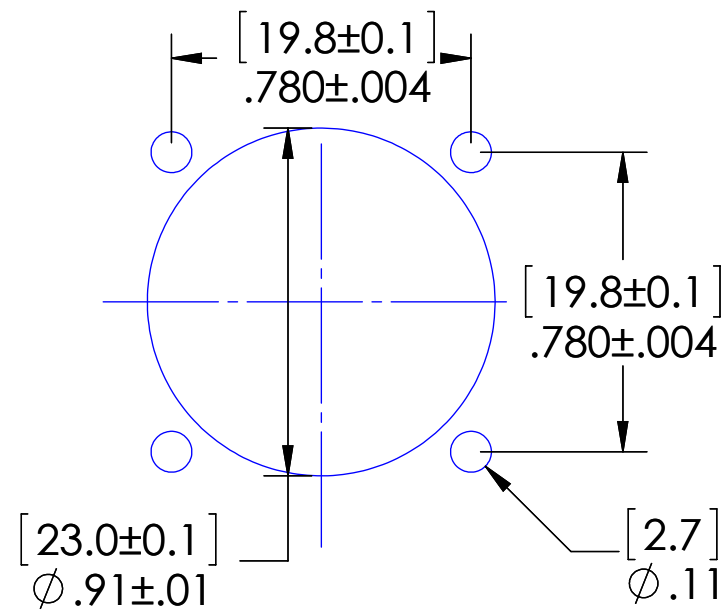
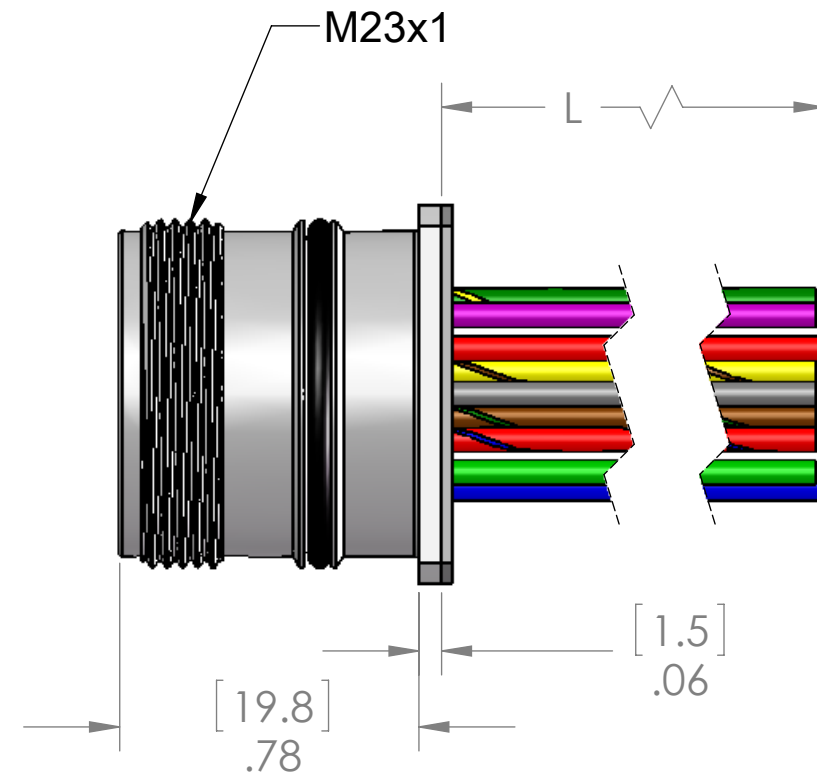
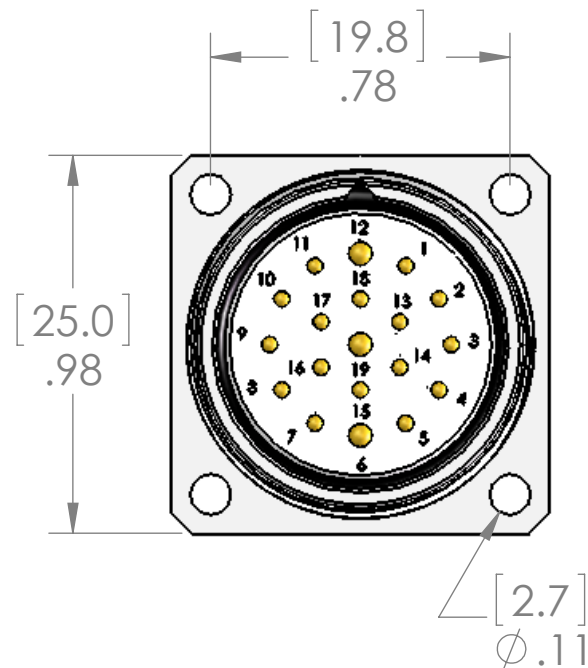


PIN #	COLOR	PIN #	COLOR
1	VIOLET	11	BLACK
2	RED	12	GREEN / YELLOW (18AWG)
3	GRAY	13	YELLOW w/BROWN
4	RED w/BLUE	14	BROWN w/GREEN
5	GREEN	15	WHITE
6	BLUE (18AWG)	16	YELLOW
7	GRAY w/PINK	17	PINK
8	WHITE w/GREEN	18	GRAY w/BROWN
9	WHITE w/YELLOW	19	BROWN (18AWG)
10	WHITE w/GRAY		

PINS 6, 12 & 19 ARE 18AWG WITH PIN 12 MALE BEING A FIRST MAKE-LAST BREAK GROUND PIN. ALL OTHERS ARE 22AWG (18AWG WIRES RATED AT 10A 22AWG WIRES RATED AT 1A)



Suggested Panel Cutout

MATERIALS:	
SHELL:	NICKEL PLATED BRASS
INSERT:	PBT
CONTACTS:	GOLD PLATED COPPER ALLOY
LOCKNUT:	NICKEL PLATED BRASS
O-RINGS:	NBR
GASKET:	NBR
WIRE:	18 & 22AWG UL1007/1569

RATINGS:	
VOLTAGE:	150V
AMPERAGE:	10A (PINS 6 & 19), 1A (ALL OTHERS)
TEMPERATURE:	GOLD PLATED COPPER ALLOY
LOCKNUT:	-40°C to +105°C

APPROVALS:	
US:	UL LISTED
CANADA:	C-UL LISTED

**PROPRIETARY AND CONFIDENTIAL**  
THE INFORMATION CONTAINED IN THIS DRAWING IS THE SOLE PROPERTY OF MENCOM CORPORATION. ANY REPRODUCTION IN PART OR AS A WHOLE WITHOUT THE WRITTEN PERMISSION OF MENCOM CORPORATION IS PROHIBITED.

VOLTS	150V
AMPS	10A / 1A
TEMP	105C
APPLICATION	DO NOT SCALE DRAWING

UNLESS OTHERWISE SPECIFIED:	NAME
DIMENSIONS ARE IN INCHES AND [MM]	DRAWN: JJH
	CHECKED:
	ENG APPR.:
	MFG APPR.:
	Q.A.:
	COMMENTS:
INTERPRET GEOMETRIC TOLERANCING PER:	
MATERIAL:	
FINISH:	

REVISIONS			
REV.	DESCRIPTION	DATE	APPROVED
A	REDRAWN IN SW	11/10/2014	bem

TABLE A	
P/N	L
MCV-19MR-0.3M-PM27	12" [0.3m]
MCV-19MR-0.5M-PM27	19" [0.5m]
MCV-19MR-1M-PM27	40" [1m]
MCV-19MR-2M-PM27	79" [2m]
MCV-19MR-3M-PM27	118" [3m]
MCV-19MR-5M-PM27	197" [5m]

MENCOM CORPORATION		
TITLE:		
SIZE	DWG. NO.	REV
<b>B</b>	MCV-19MR-ZZ-PM27	<b>A</b>
SCALE: 2:1	WEIGHT:	SHEET 1 OF 1