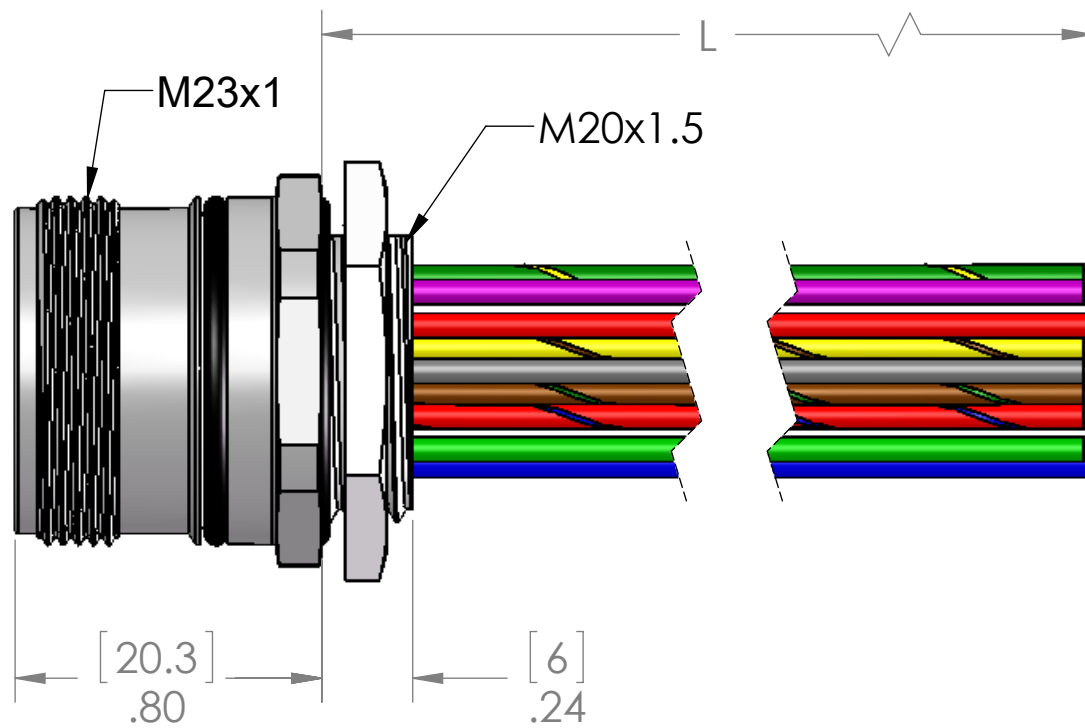
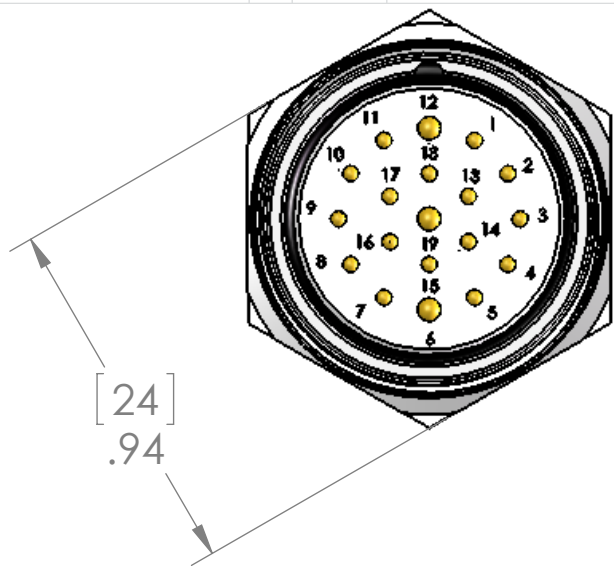
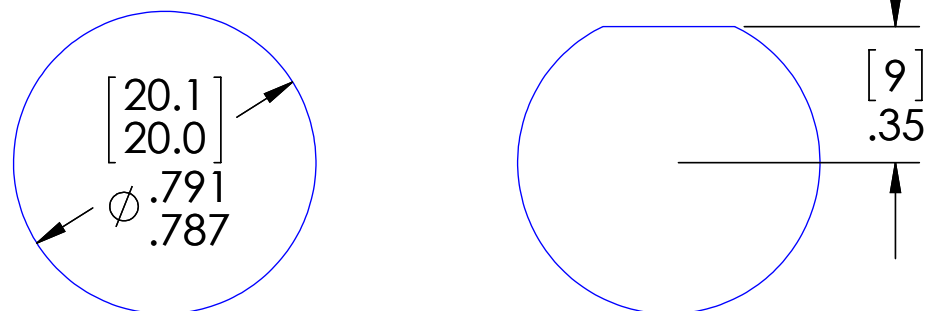


| PIN # | COLOR | PIN # | COLOR |
|-------|----------------|-------|------------------------|
| 1 | VIOLET | 11 | BLACK |
| 2 | RED | 12 | GREEN / YELLOW (18AWG) |
| 3 | GRAY | 13 | YELLOW w/BROWN |
| 4 | RED w/BLUE | 14 | BROWN w/GREEN |
| 5 | GREEN | 15 | WHITE |
| 6 | BLUE (18AWG) | 16 | YELLOW |
| 7 | GRAY w/PINK | 17 | PINK |
| 8 | WHITE w/GREEN | 18 | GRAY w/BROWN |
| 9 | WHITE w/YELLOW | 19 | BROWN (18AWG) |
| 10 | WHITE w/GRAY | | |

| REVISIONS | | | |
|-----------|---------------|------------|----------|
| REV. | DESCRIPTION | DATE | APPROVED |
| A | REDRAWN IN SW | 2/14/2014 | RSC |
| B | ADDED UL | 10/10/2014 | JJH |



Recommended Panel Cutouts



(Anti-Rotational)

| MATERIALS: | |
|------------|--------------------------|
| SHELL: | NICKEL PLATED BRASS |
| INSERT: | PBT |
| CONTACTS: | GOLD PLATED COPPER ALLOY |
| LOCKNUT: | NICKEL PLATED BRASS |
| O-RINGS: | NBR or FPM |
| WIRE: | 18 & 22AWG UL1007/1569 |

| RATINGS: | |
|--------------|------------------------------------|
| VOLTAGE: | 150V |
| AMPERAGE: | 10A (PINS 6 & 19), 1A (ALL OTHERS) |
| TEMPERATURE: | GOLD PLATED COPPER ALLOY |
| LOCKNUT: | -40°C to +105°C |

| APPROVALS: | |
|------------|-------------|
| US: | UL LISTED |
| CANADA: | C-UL LISTED |

PROPRIETARY AND CONFIDENTIAL
 THE INFORMATION CONTAINED IN THIS DRAWING IS THE SOLE PROPERTY OF MENCOM CORPORATION. ANY REPRODUCTION IN PART OR AS A WHOLE WITHOUT THE WRITTEN PERMISSION OF MENCOM CORPORATION IS PROHIBITED.

| P/N | L |
|-------------------|------------|
| MCV-19MR-0.3M-M20 | 12" [0.3m] |
| MCV-19MR-0.5M-M20 | 19" [0.5m] |
| MCV-19MR-1M-M20 | 40" [1m] |
| MCV-19MR-2M-M20 | 79" [2m] |
| MCV-19MR-3M-M20 | 118" [3m] |
| MCV-19MR-5M-M20 | 197" [5m] |
| MCV-19MR-10M-M20 | 393" [10m] |

UNLESS OTHERWISE SPECIFIED:
 DIMENSIONS ARE IN INCHES AND [MM]
 MATERIAL
 FINISH
 DO NOT SCALE DRAWING

| NAME |
|------------|
| DRAWN: BEM |
| CHECKED: |
| ENG APPR.: |
| MFG APPR.: |
| Q.A.: |
| COMMENTS: |

| | | |
|---------------------------------|---------------------------|---------------|
| MENCOM CORPORATION | | |
| TITLE: 19 PL MAL M23 RCP M20 | | |
| SIZE: B | DWG. NO.: MCV-19MR-ZZ-M20 | REV: B |
| SCALE: 2:1 WEIGHT: | | SHEET 1 OF 1 |