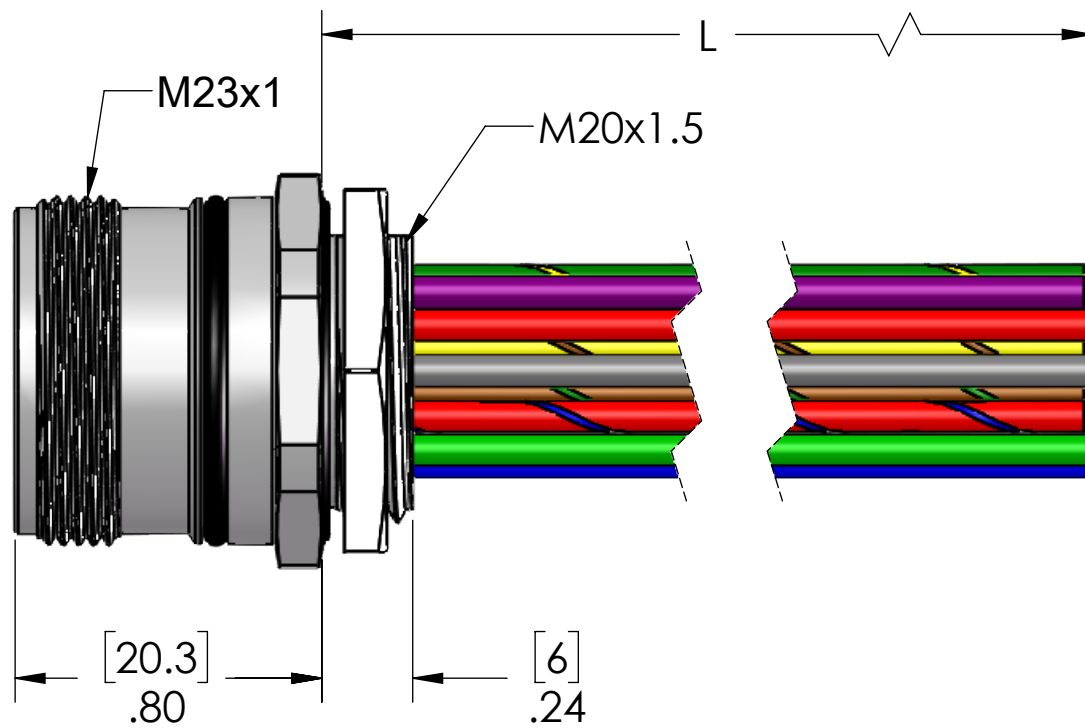
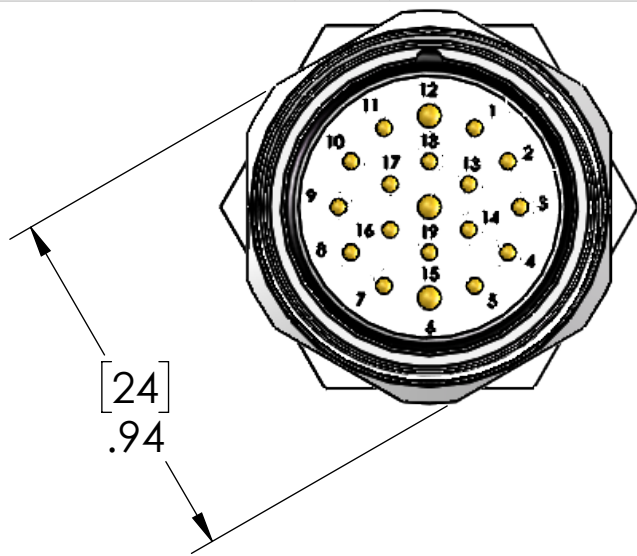
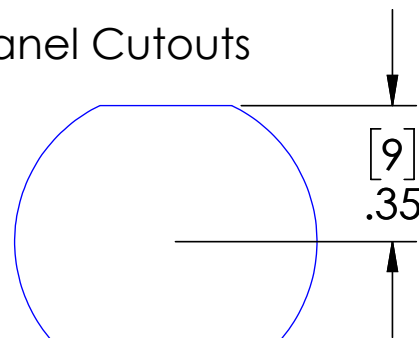
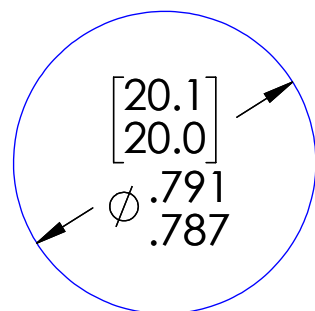


PIN #	COLOR	PIN #	COLOR
1	VIOLET	11	BLACK
2	RED	12	GREEN / YELLOW
3	GRAY	13	YELLOW w/BROWN
4	RED w/BLUE	14	BROWN w/GREEN
5	GREEN	15	WHITE
6	BLUE	16	YELLOW
7	GRAY w/PINK	17	PINK
8	WHITE w/GREEN	18	GRAY w/BROWN
9	WHITE w/YELLOW	19	BROWN
10	WHITE w/GRAY		



Recommended Panel Cutouts



(Anti-Rotational)

MATERIALS:	
SHELL:	NICKEL PLATED BRASS
INSERT:	PBT
CONTACTS:	GOLD PLATED COPPER ALLOY
LOCKNUT:	NICKEL PLATED BRASS
O-RINGS:	NBR or FPM
WIRE:	18AWG UL1007/1569

CERTIFICATIONS:	
RoHS:	Yes
CE:	Yes

**PROPRIETARY AND CONFIDENTIAL**  
 THE INFORMATION CONTAINED IN THIS DRAWING IS THE SOLE PROPERTY OF MENCOM CORPORATION. ANY REPRODUCTION IN PART OR AS A WHOLE WITHOUT THE WRITTEN PERMISSION OF MENCOM CORPORATION IS PROHIBITED.

VOLTS	150V
AMPS	5A
UL?:	Yes

UNLESS OTHERWISE SPECIFIED:  
 DIMENSIONS ARE IN INCHES  
 TOLERANCES:  
 FRACTIONAL ± 1/64  
 ANGULAR: MACH ± 5° BEND ± 5°  
 TWO PLACE DECIMAL ± .01  
 THREE PLACE DECIMAL ± .004

MATERIAL	
FINISH	
DO NOT SCALE DRAWING	

P/N	L
MCV-19MR-0.3M-18-M20	12" [0.3m]
MCV-19MR-0.6M-18-M20	24" [0.6m]
MCV-19MR-1M-18-M20	40" [1m]
MCV-19MR-2M-18-M20	79" [2m]
MCV-19MR-3M-18-M20	118" [3m]
MCV-19MR-5M-18-M20	197" [5m]
MCV-19MR-10M-18-M20	393" [10m]

DRAWN BY: ADM		MENCOM CORPORATION		
DRAWN DATE: 09/22/2016				
CHECKED BY:		TITLE: 19 PL ML M23 RECP 18AWG		
CHECK DATE:				
COMMENTS:		SIZE: <b>B</b>	DWG. NO.: MCV-19MR-ZZ-18-M20	REV: <b>B</b>
		SCALE: 2:1	WEIGHT:	SHEET 1 OF 1