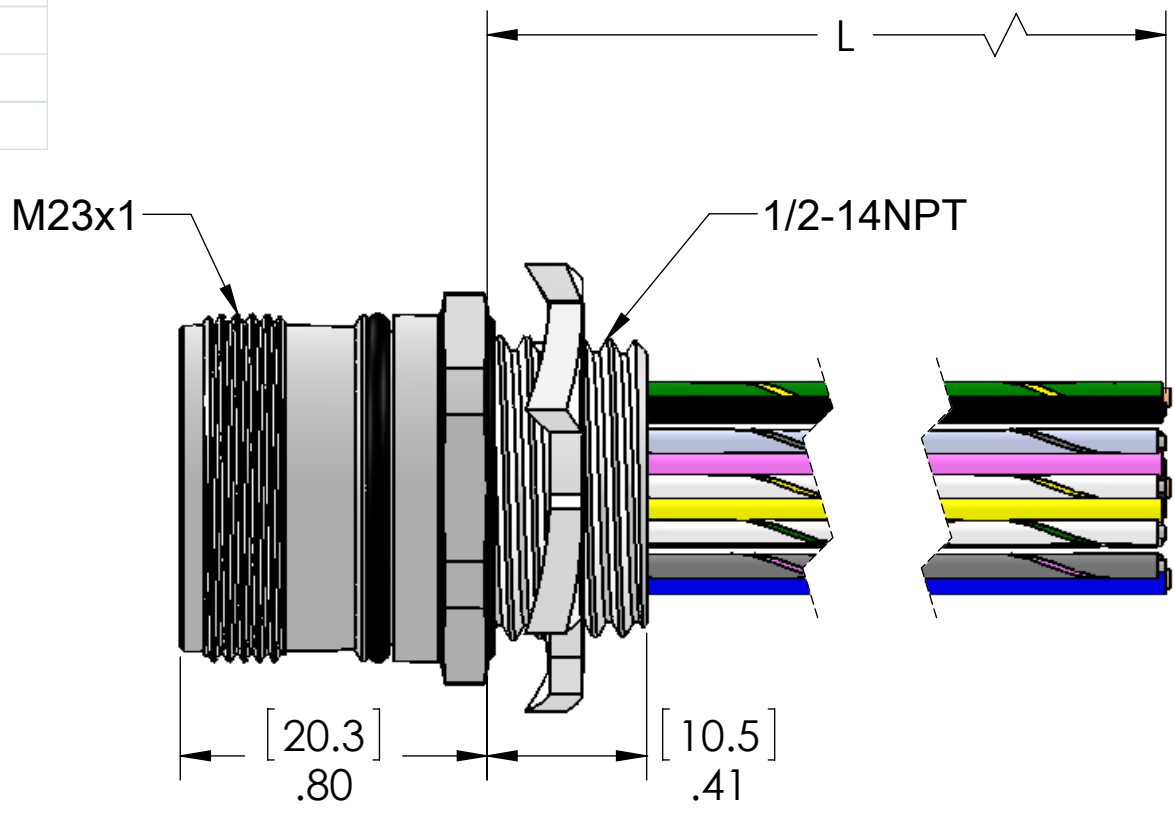
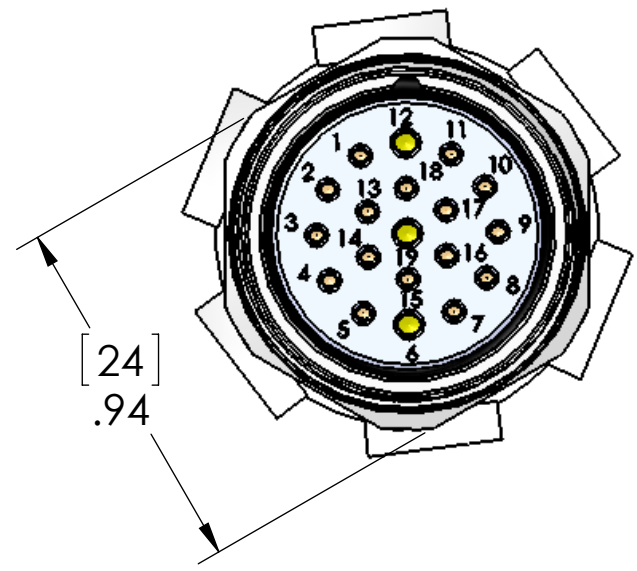


| PIN # | COLOR | PIN # | COLOR |
|-------|----------------|-------|----------------|
| 1 | VIOLET | 11 | BLACK |
| 2 | RED | 12 | GREEN / YELLOW |
| 3 | GRAY | 13 | YELLOW w/BROWN |
| 4 | RED w/BLUE | 14 | BROWN w/GREEN |
| 5 | GREEN | 15 | WHITE |
| 6 | BLUE | 16 | YELLOW |
| 7 | GRAY w/PINK | 17 | PINK |
| 8 | WHITE w/GREEN | 18 | GRAY w/BROWN |
| 9 | WHITE w/YELLOW | 19 | BROWN |
| 10 | WHITE w/GRAY | | |

| REVISIONS | | | |
|-----------|---------------|-----------|----------|
| REV. | DESCRIPTION | DATE | APPROVED |
| A | REDRAWN IN SW | 1/16/2013 | BEM |

BLUE, BROWN & GREEN/YELLOW ARE 18AWG



| P/N | L |
|---------------|------------|
| MCV-19FR-0.3M | 12" [0.3m] |
| MCV-19FR-0.5M | 19" [0.5m] |
| MCV-19FR-1M | 40" [1m] |
| MCV-19FR-2M | 79" [2m] |
| MCV-19FR-3M | 118" [3m] |
| MCV-19FR-5M | 197" [5m] |
| MCV-19FR-10M | 393" [10m] |

| MATERIALS: | |
|------------|--------------------------|
| SHELL: | NICKEL PLATED BRASS |
| INSERT: | PBT |
| CONTACTS: | GOLD PLATED COPPER ALLOY |
| LOCKNUT: | ZINC PLATED STEEL |
| O-RINGS: | NBR |
| WIRE: | 18 & 22AWG UL1007/1569 |

| RATINGS: | |
|--------------|------------------------------------|
| VOLTAGE: | 150V |
| AMPERAGE: | 10A (PINS 6 & 19), 1A (ALL OTHERS) |
| TEMPERATURE: | GOLD PLATED COPPER ALLOY |
| LOCKNUT: | -40°C to +105°C |

| APPROVALS: | |
|------------|-------------|
| US: | UL LISTED |
| CANADA: | C-UL LISTED |

UNLESS OTHERWISE SPECIFIED:
 DIMENSIONS ARE IN INCHES AND [MM]
 MATERIAL
 FINISH
 DO NOT SCALE DRAWING

| | | | |
|-----------|-----|----------------------|----------|
| NAME | | MENCOM CORPORATION | |
| DRAWN | DCT | TITLE: | |
| CHECKED | | SIZE | |
| ENG APPR. | | DWG. NO. | REV |
| MFG APPR. | | B MCV-19FR-ZZ | A |
| Q.A. | | SCALE: 2:1 | WEIGHT: |
| COMMENTS: | | SHEET 1 OF 1 | |

PROPRIETARY AND CONFIDENTIAL
 THE INFORMATION CONTAINED IN THIS DRAWING IS THE SOLE PROPERTY OF MENCOM CORPORATION. ANY REPRODUCTION IN PART OR AS A WHOLE WITHOUT THE WRITTEN PERMISSION OF MENCOM CORPORATION IS PROHIBITED.

| | |
|----------------|--|
| SPECIFICATIONS | |
|----------------|--|