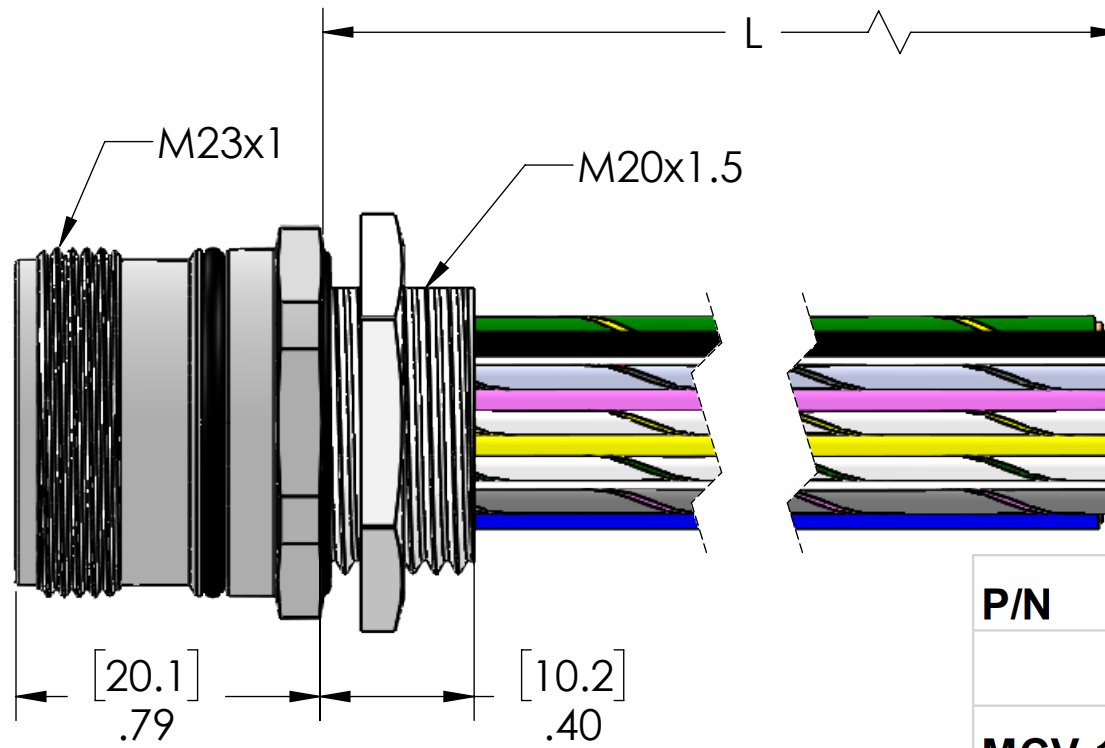
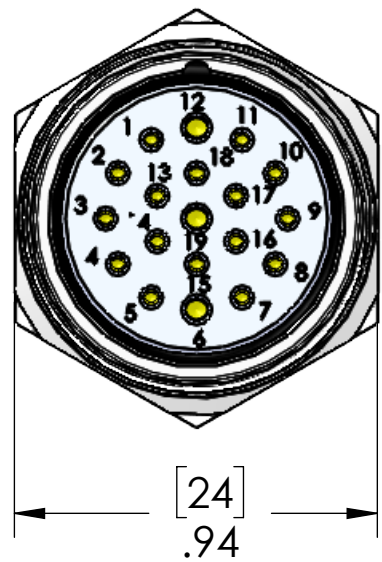
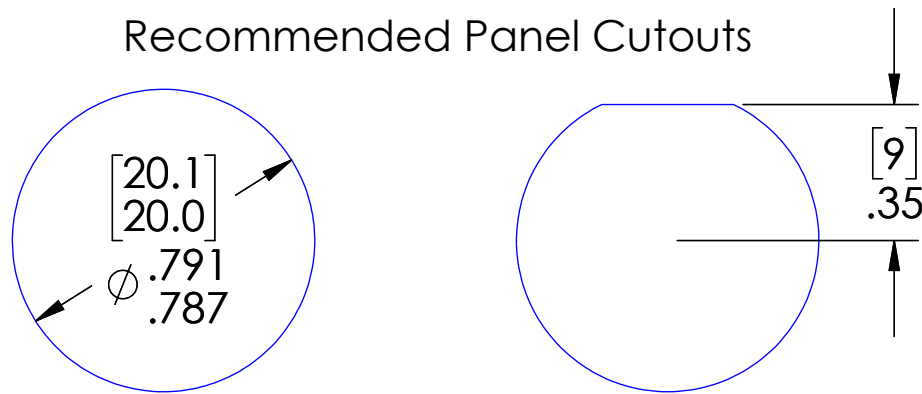


PIN #	COLOR	PIN #	COLOR
1	VIOLET	11	BLACK
2	RED	12	GREEN / YELLOW (18AWG)
3	GRAY	13	YELLOW w/BROWN
4	RED w/BLUE	14	BROWN w/GREEN
5	GREEN	15	WHITE
6	BLUE (18AWG)	16	YELLOW
7	GRAY w/PINK	17	PINK
8	WHITE w/GREEN	18	GRAY w/BROWN
9	WHITE w/YELLOW	19	BROWN (18AWG)
10	WHITE w/GRAY		



Recommended Panel Cutouts



(Anti-Rotational)

P/N	L
MCV-19FR-0.3M-M20L	12" [0.3m]
MCV-19FR-0.5M-M20L	20" [0.5m]
MCV-19FR-1M-M20L	40" [1m]
MCV-19FR-2M-M20L	79" [2m]
MCV-19FR-3M-M20L	118" [3m]
MCV-19FR-5M-M20L	197" [5m]
MCV-19FR-10M-M20L	393" [10m]

MATERIALS:	
SHELL:	NICKEL PLATED BRASS
INSERT:	PBT
CONTACTS:	GOLD PLATED COPPER ALLOY
WIRE:	18 & 22AWG UL1007/1569
LOCKNUT:	NICKEL PLATED BRASS
O-RINGS:	NBR
RATINGS:	
VOLTAGE:	150V
AMPERAGE:	10A (PINS 6 & 19), 1A (ALL OTHERS)
TEMPERATURE:	-40°C to +105°C
APPROVALS:	
US:	UL LISTED
CANADA:	C-UL LISTED
RoHS:	YES
CE:	YES

PROPRIETARY AND CONFIDENTIAL
THE INFORMATION CONTAINED IN THIS DRAWING IS THE SOLE PROPERTY OF MENCOM CORPORATION. ANY REPRODUCTION IN PART OR AS A WHOLE WITHOUT THE WRITTEN PERMISSION OF MENCOM CORPORATION IS PROHIBITED.

VOLTS	150V
AMPS	10A/1A OR 9A/2A
TEMP:	105°C

UNLESS OTHERWISE SPECIFIED:	DRAWN BY	JJH
DIMENSIONS ARE IN INCHES AND [MM]	DRAWN DATE	05/18/2023
	CHECKED BY	ADM
	CHECK DATE	05/18/2023
COMMENTS:		
MATERIAL		
FINISH		
DO NOT SCALE DRAWING		

MENCOM CORPORATION		
TITLE: 19 PL FEMALE MCV W/M20L		
SIZE	DWG. NO.	REV
B	MCV-19FR-ZZ-M20L	A
SCALE: 2:1	WEIGHT:	SHEET 1 OF 1