

PIN #	COLOR	PIN #	COLOR
1	VIOLET	11	BLACK
2	RED	12	GREEN / YELLOW
3	GRAY	13	YELLOW w/BROWN
4	RED w/BLUE	14	BROWN w/GREEN
5	GREEN	15	WHITE
6	BLUE	16	YELLOW
7	GRAY w/PINK	17	PINK
8	WHITE w/GREEN	18	GRAY w/BROWN
9	WHITE w/YELLOW	19	BROWN
10	WHITE w/GRAY		

BLUE, BROWN & GREEN/YELLOW ARE 18AWG

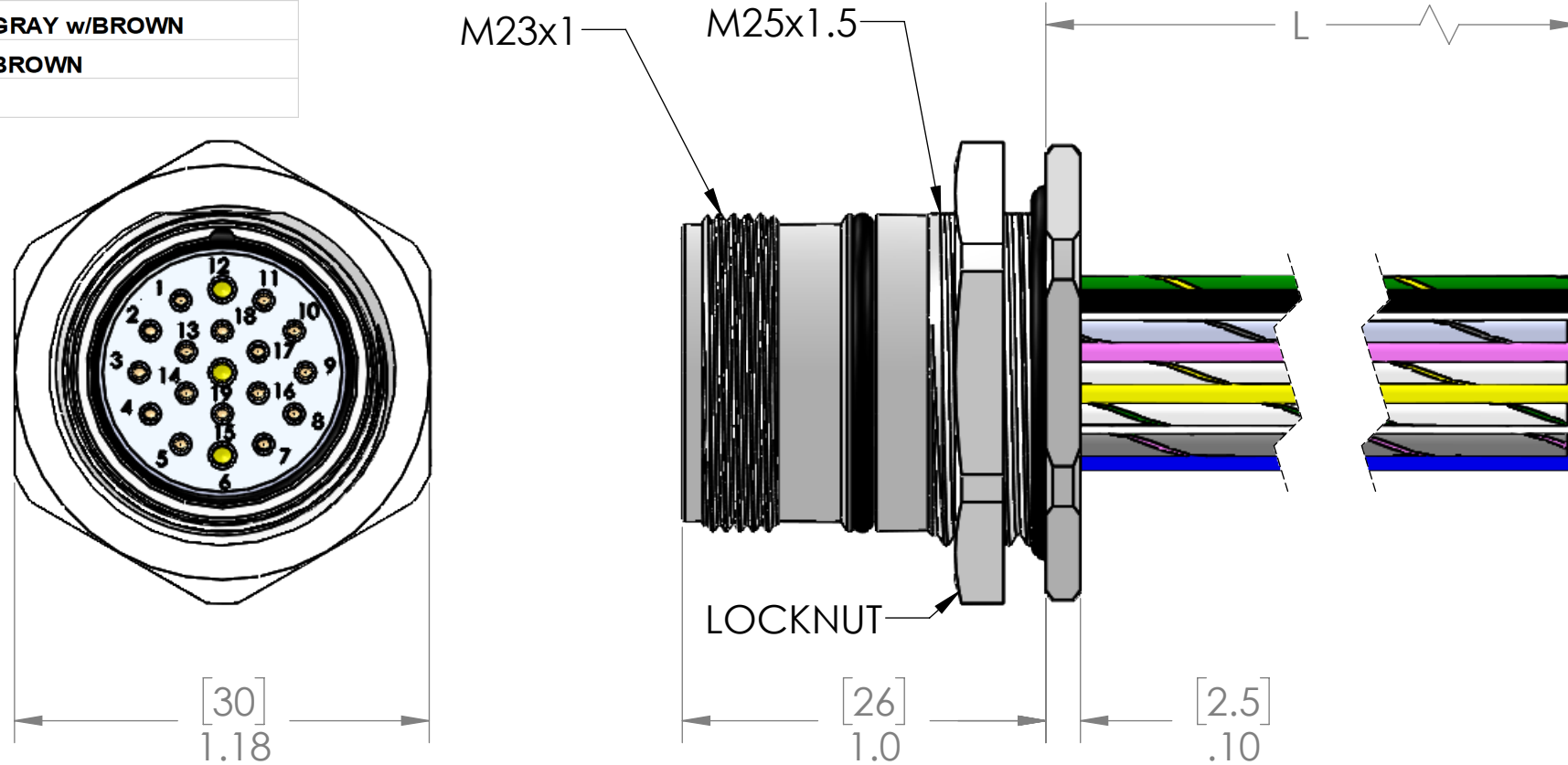
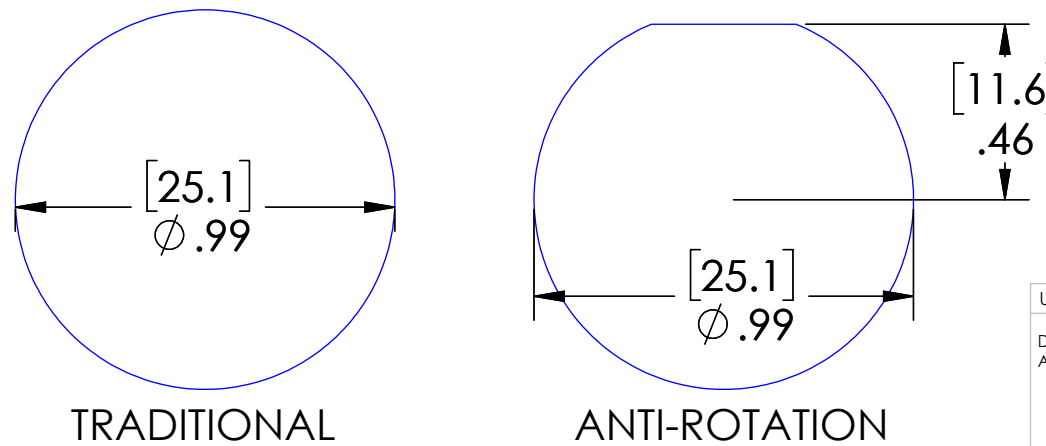


TABLE A

P/N	L
MCV-19FR-0.3M-BM	12" [.3M]
MCV-19FR-0.5M-BM	20" [.5M]
MCV-19FR-1M-BM	40" [1M]
MCV-19FR-2M-BM	79" [2M]
MCV-19FR-3M-BM	118" [3M]
MCV-19FR-5M-BM	197" [5M]
MCV-19FR-10M-BM	393" [10M]

SUGGESTED CUT-OUTS



MATERIALS:	
SHELL:	NICKEL PLATED BRASS
INSERT:	PBT
CONTACTS:	GOLD PLATED COPPER ALLOY
WIRE:	18 & 22AWG UL1007/1569
LOCKNUT:	NICKEL PLATED BRASS
O-RINGS:	NBR
RATINGS:	
VOLTAGE:	150V
AMPERAGE:	10A (PINS 6 & 19), 1A (ALL OTHERS)
TEMPERATURE:	-40°C to +105°C
MAX PANEL THICKNESS:	0.256" (6.5mm)
APPROVALS:	
US:	UL LISTED
CANADA:	C-UL LISTED
RoHS:	YES
CE:	YES

PROPRIETARY AND CONFIDENTIAL
THE INFORMATION CONTAINED IN THIS DRAWING IS THE SOLE PROPERTY OF MENCOM CORPORATION. ANY REPRODUCTION IN PART OR AS A WHOLE WITHOUT THE WRITTEN PERMISSION OF MENCOM CORPORATION IS PROHIBITED.

VOLTS	150V
AMPS	10A/1A OR 9A/2A
TEMP:	105°C

UNLESS OTHERWISE SPECIFIED:	DRAWN BY	JJH
DIMENSIONS ARE IN INCHES AND [MM]	DRAWN DATE	01/04/2017
	CHECKED BY	ADM
	CHECK DATE	01/04/2017
COMMENTS:		
DO NOT SCALE DRAWING		

OTHER LENGTHS AVAILABLE
CONSULT FACTORY

MENCOM CORPORATION

TITLE:		
SIZE	DWG. NO.	REV
B	MCV-19FR-ZZ-BM	A
SCALE: 2:1	WEIGHT:	SHEET 1 OF 1