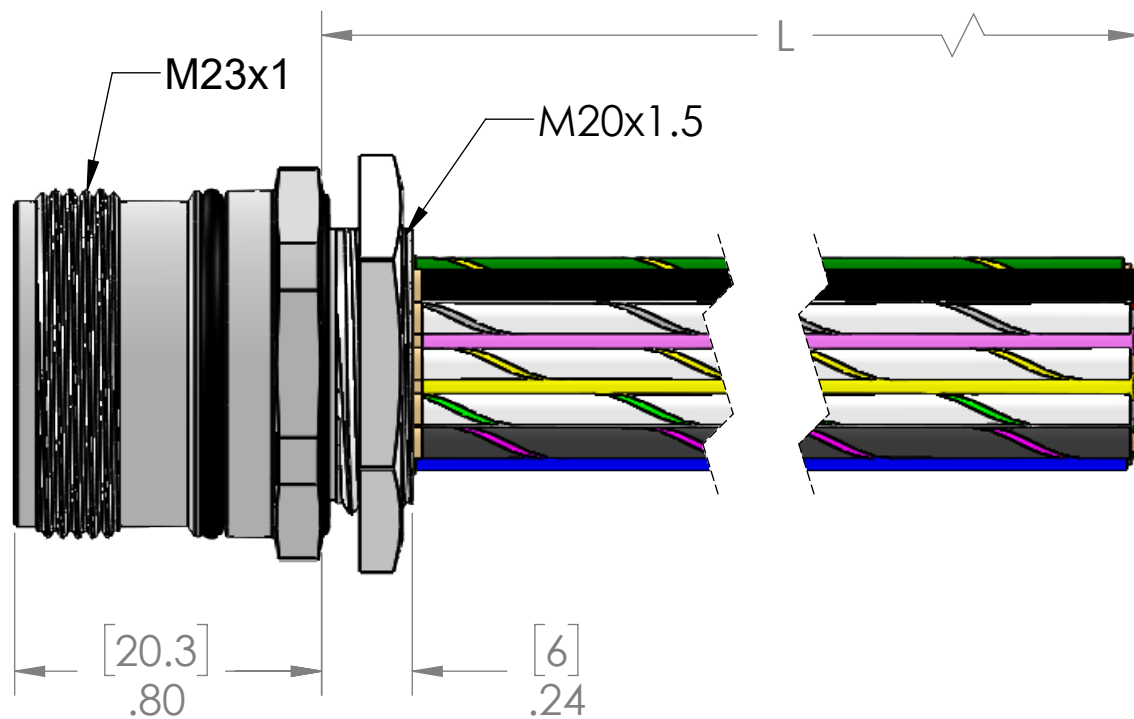
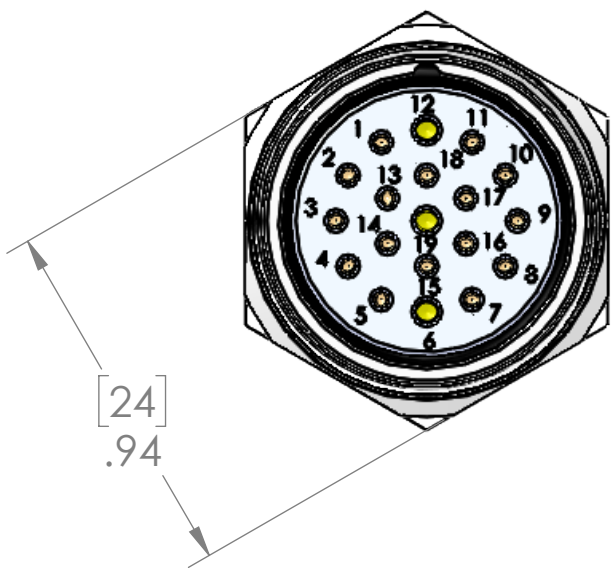
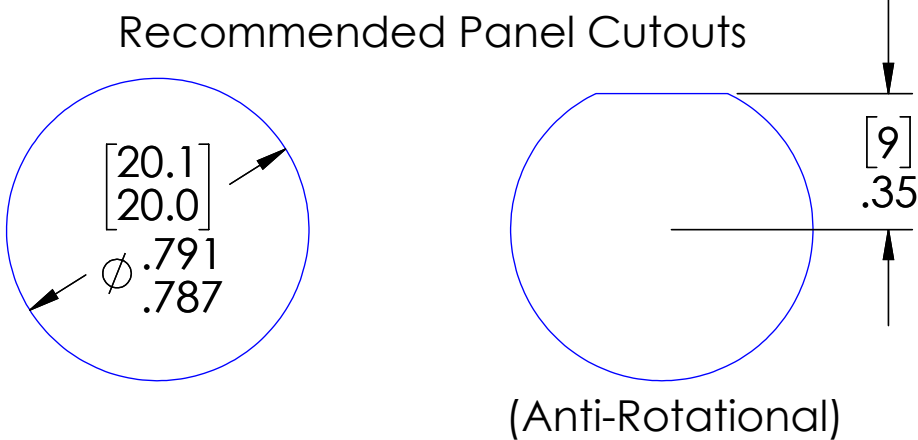


PIN #	COLOR	PIN #	COLOR
1	VIOLET	11	BLACK
2	RED	12	GREEN / YELLOW
3	GRAY	13	YELLOW w/BROWN
4	RED w/BLUE	14	BROWN w/GREEN
5	GREEN	15	WHITE
6	BLUE	16	YELLOW
7	GRAY w/PINK	17	PINK
8	WHITE w/GREEN	18	GRAY w/BROWN
9	WHITE w/YELLOW	19	BROWN
10	WHITE w/GRAY		

10A (PINS 6 & 19), 1A (ALL OTHERS)



MATERIALS	
SHELL:	NICKEL PLATED BRASS
CONTACTS:	GOLD PLATED COPPER ALLOY
WIRES:	
STYLE:	UL 1007/1569
AWG:	18 AWG
JACKET:	PVC
VOLTAGE:	300V
INSERT:	PNT
O-RING:	NBR
NUT:	NICKEL PLATED BRASS
APPROVALS	
US:	UL LISTED
CANADA:	C-UL LISTED
ROHS:	YES
CE & UKCA:	YES
RATINGS	
PROTECTION CLASS:	IEC IP69



P/N	L
MCV-19FR-0.3M-18-M20	12" [0.3m]
MCV-19FR-0.5M-18-M20	20" [0.5m]
MCV-19FR-0.6M-18-M20	24" [0.6m]
MCV-19FR-1M-18-M20	40" [1m]
MCV-19FR-2M-18-M20	79" [2m]
MCV-19FR-3M-18-M20	118" [3m]
MCV-19FR-5M-18-M20	197" [5m]
MCV-19FR-10M-18-M20	393" [10m]

OTHER LENGTHS ARE AVAILABLE
PLEASE CONSULT FACTORY

UNLESS OTHERWISE SPECIFIED:	DRAWN BY	ADM
DIMENSIONS ARE IN INCHES AND [MM]	DRAWN DATE	08/30/2023
	CHECKED BY	JJH
	CHECK DATE	08/31/2023
MATERIAL	COMMENTS:	
FINISH		
DO NOT SCALE DRAWING		

MENCOM CORPORATION

TITLE:
19 PL FEMALE MCV 18GA
W/M20

SIZE	DWG. NO.	REV
B	MCV-19FR-ZZ-18-M20	B
SCALE: 2:1	WEIGHT:	SHEET 1 OF 1

PROPRIETARY AND CONFIDENTIAL
THE INFORMATION CONTAINED IN THIS DRAWING IS THE SOLE PROPERTY OF MENCOM CORPORATION. ANY REPRODUCTION IN PART OR AS A WHOLE WITHOUT THE WRITTEN PERMISSION OF MENCOM CORPORATION IS PROHIBITED.

VOLTS	150V
AMPS	10A/1A
TEMP:	105°C