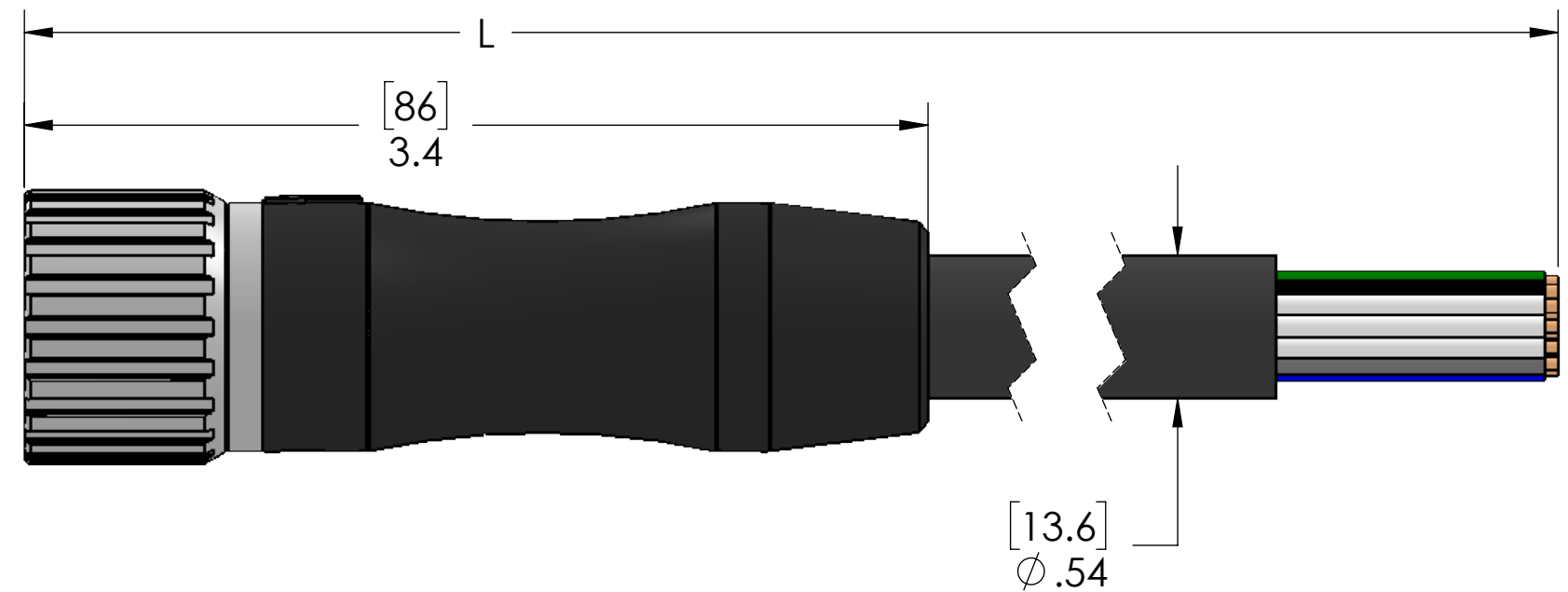
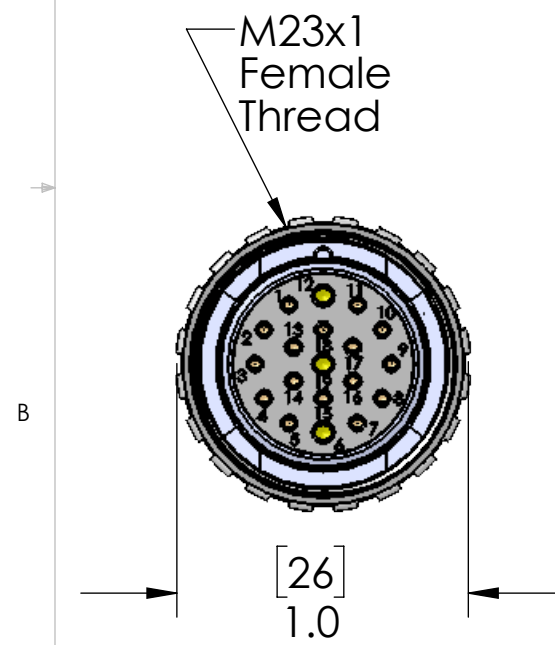


PIN #	COLOR	PIN #	COLOR
1	VIOLET	11	BLACK
2	RED	12	GREEN / YELLOW
3	GRAY	13	YELLOW W/BROWN
4	RED W/BLUE	14	BROWN W/GREEN
5	GREEN	15	WHITE
6	BLUE	16	YELLOW
7	GRAY W/PINK	17	PINK
8	WHITE W/GREEN	18	GRAY W/BROWN
9	WHITE W/YELLOW	19	BROWN
10	WHITE W/GRAY		



P/N	L
MCVP-19FP-0.5M-C010	20" (0.5m)
MCVP-19FP-1M-C010	40" (1m)
MCVP-19FP-2M-C010	79" (2m)
MCVP-19FP-3M-C010	118" (3m)
MCVP-19FP-4M-C010	157" (4m)
MCVP-19FP-5M-C010	197" (5m)
MCVP-19FP-6M-C010	236" (6m)
MCVP-19FP-8M-C010	315" (8m)
MCVP-19FP-10M-C010	393" (10m)
MCVP-19FP-15M-C010	590" (15m)
MCVP-19FP-20M-C010	786" (20m)
MCVP-19FP-25M-C010	983" (25m)

MATERIALS:	
BODY:	BLACK PVC
CONTACTS:	GOLD PLATED COPPER ALLOY
COUPLINGS:	NICKEL PLATED BRASS
CABLE:	18/19 ITC-ER BLACK PVC JACKET SUNLIGHT RES. FT4

APPROVALS:	
US:	UL LISTED
CANADA:	C-UL LISTED

PROPRIETARY AND CONFIDENTIAL
 THE INFORMATION CONTAINED IN THIS DRAWING IS THE SOLE PROPERTY OF MENCOM CORPORATION. ANY REPRODUCTION IN PART OR AS A WHOLE WITHOUT THE WRITTEN PERMISSION OF MENCOM CORPORATION IS PROHIBITED.

VOLTS	300V
AMPS	10A/1A
TEMP:	90°C

UNLESS OTHERWISE SPECIFIED: DIMENSIONS ARE IN INCHES AND [MM]	DRAWN BY	ADM
	DRAWN DATE	09/22/2016
	CHECKED BY	
	CHECK DATE	
COMMENTS:		
MATERIAL		
FINISH		
DO NOT SCALE DRAWING		

MENCOM CORPORATION		
TITLE: 19 PL FEM MCV CBL		
SIZE	DWG. NO.	REV
B	MCV-19FPX-ZZ-C010	A
SCALE: 3:2	WEIGHT:	SHEET 1 OF 1