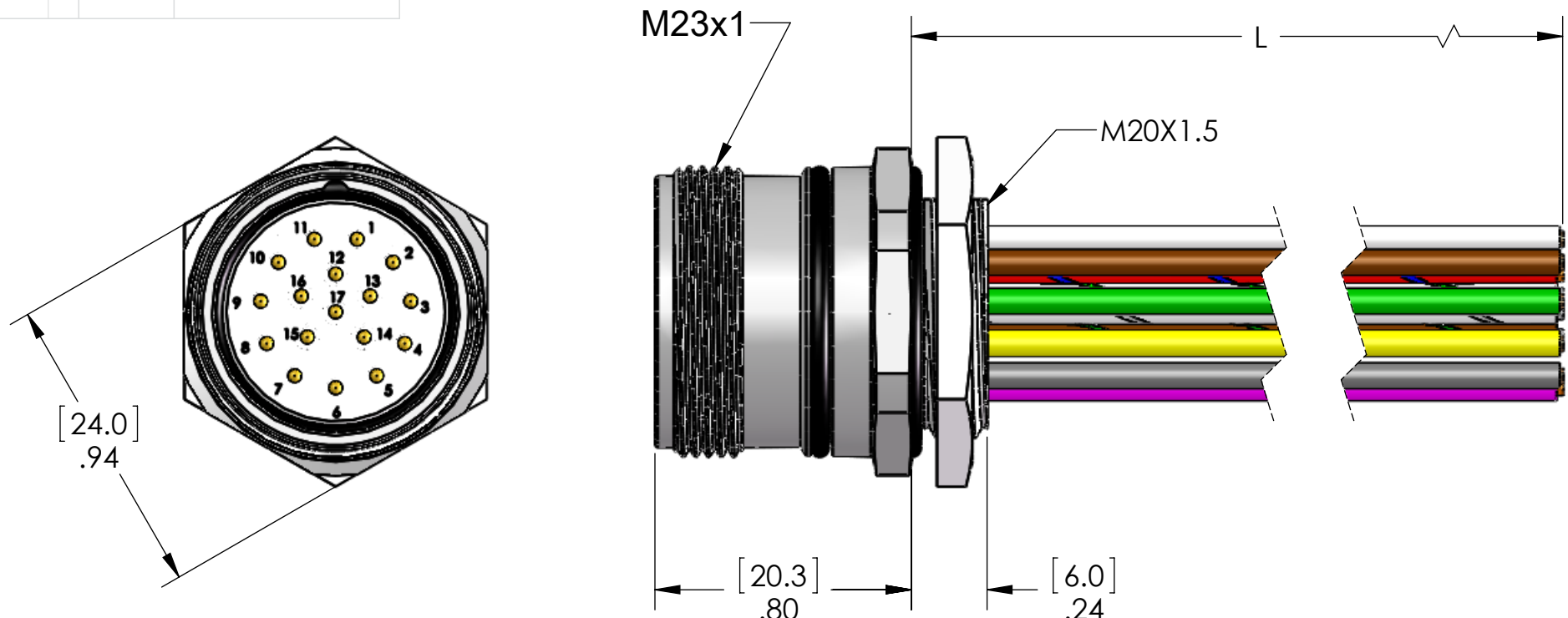
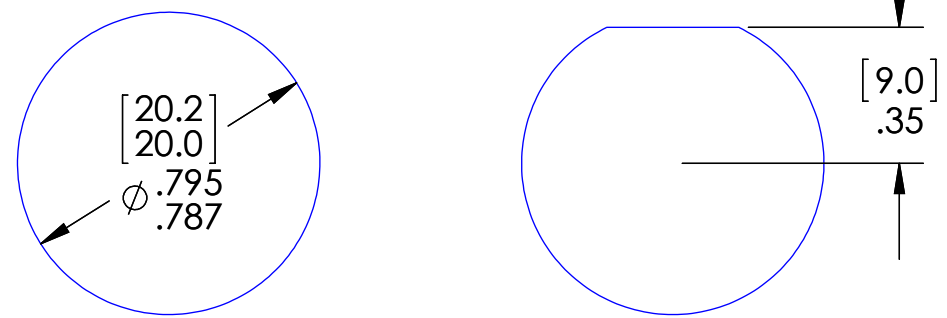


PIN #	COLOR	PIN #	COLOR
1	WHITE	10	VIOLET
2	BROWN	11	GRAY/PINK
3	GREEN	12	RED/BLUE
4	YELLOW	13	WHITE/GREEN
5	GRAY	14	BROWN/GREEN
6	PINK	15	WHITE/YELLOW
7	BLUE	16	YELLOW/BROWN
8	RED	17	WHITE/GRAY
9	BLACK		

REVISIONS			
REV.	DESCRIPTION	DATE	APPROVED
A	DRAWN IN SW	2/5/2016	BEM
B	UPDATED COLOR CODE	6/2/2016	BEM
C	UPDATED RATING	6/28/2016	JJH



Recommended Panel Cutouts



(Anti-Rotational)

MATERIALS:	
SHELL:	NICKEL PLATED BRASS
INSERT:	PBT
CONTACTS:	GOLD PLATED COPPER ALLOY
LOCKNUT:	NICKEL PLATED BRASS
O-RINGS:	NBR
WIRE:	18AWG UL1007/1569

**PROPRIETARY AND CONFIDENTIAL**  
 THE INFORMATION CONTAINED IN THIS DRAWING IS THE SOLE PROPERTY OF MENCOM CORPORATION. ANY REPRODUCTION IN PART OR AS A WHOLE WITHOUT THE WRITTEN PERMISSION OF MENCOM CORPORATION IS PROHIBITED.

VOLTS	150
AMPS	5A
TEMP	-40 TO 105C
APPLICATION	

UNLESS OTHERWISE SPECIFIED:  
 DIMENSIONS ARE IN INCHES AND [MM]  
 INTERPRET GEOMETRIC TOLERANCING PER:  
 MATERIAL  
 FINISH  
 DO NOT SCALE DRAWING

NAME	JJH
DRAWN	
CHECKED	
ENG APPR.	
MFG APPR.	
Q.A.	
COMMENTS:	

P/N	L
MCV-17MR-0.3M-M20	12" [0.3m]
MCV-17MR-0.5M-M20	19" [0.5m]
MCV-17MR-1M-M20	40" [1m]
MCV-17MR-2M-M20	79" [2m]
MCV-17MR-3M-M20	118" [3m]
MCV-17MR-5M-M20	197" [5m]
MCV-17MR-10M-M20	393" [10m]

MENCOM CORPORATION		
TITLE: 17PL M23 MAL RCPT M20		
SIZE	DWG. NO.	REV
<b>B</b>	MCV-17MR-ZZ-M20	<b>C</b>
SCALE: 2:1	WEIGHT:	SHEET 1 OF 1