

PIN #	WIRING	PIN #
1	-----	1
2	-----	2
3	-----	3
4	-----	4
5	-----	5
	ETC.	
17	-----	17

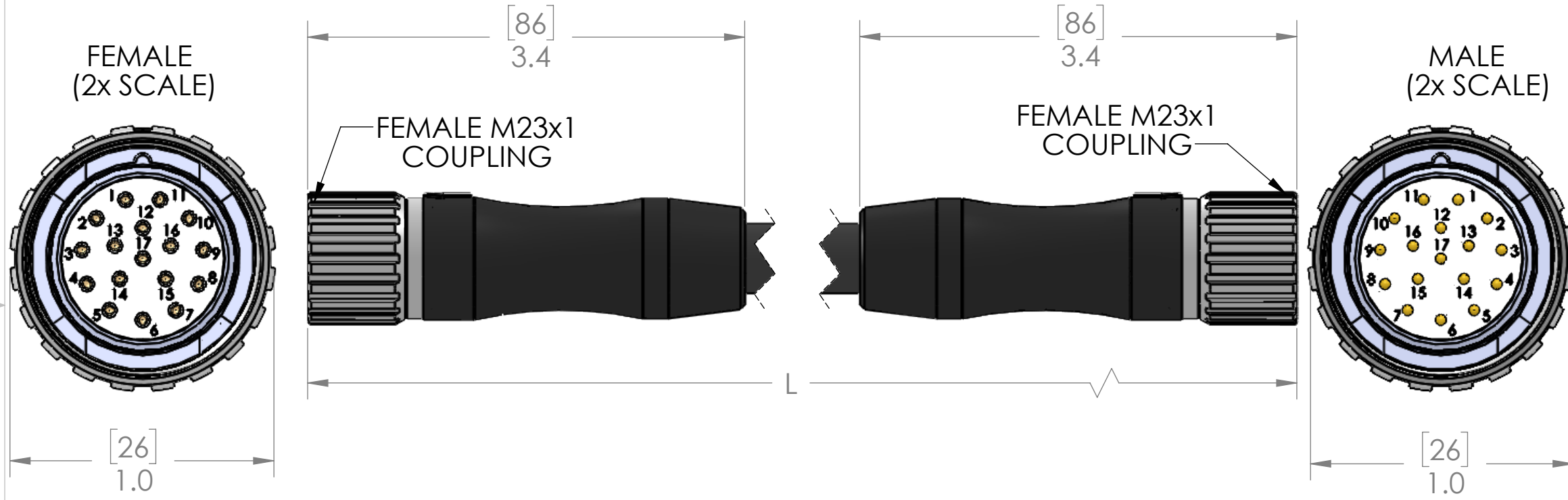


TABLE A		
P/N	L	STD?
MCV-17MFPX-0.7M-C010	28" [0.7M]	NO
MCV-17MFPX-1M-C010	40" [1m]	YES
MCV-17MFPX-2M-C010	79" [2m]	YES
MCV-17MFPX-3M-C010	118" [3m]	YES
MCV-17MFPX-4M-C010	157" [4m]	NO
MCV-17MFPX-5M-C010	197" [5m]	YES
MCV-17MFPX-6M-C010	236" [6m]	NO
MCV-17MFPX-8M-C010	315" [8m]	NO
MCV-17MFPX-10M-C010	393" [10m]	YES
MCV-17MFPX-15M-C010	590" [15m]	YES
MCV-17MFPX-20M-C010	786" [20m]	YES

LENGTHS THAT ARE NOT LISTED AS STD MAY REQUIRE MINIMUM ORDERS

MATERIALS:	
BODY:	BLACK PUR
CONTACTS:	GOLD PLATED COPPER ALLOY
COUPLINGS:	NICKEL PLATED BRASS
O-RINGS:	NBR
CABLE:	18/17 ITC-ER BLACK

PROPRIETARY AND CONFIDENTIAL
 THE INFORMATION CONTAINED IN THIS DRAWING IS THE SOLE PROPERTY OF MENCOM CORPORATION. ANY REPRODUCTION IN PART OR AS A WHOLE WITHOUT THE WRITTEN PERMISSION OF MENCOM CORPORATION IS PROHIBITED.

VOLTS	150V
AMPS	5A
TEMP:	90°C

UNLESS OTHERWISE SPECIFIED:	DRAWN BY	ADM
DIMENSIONS ARE IN INCHES AND [MM]	DRAWN DATE	05/28/2019
	CHECKED BY	DWM
	CHECK DATE	05/28/2019
MATERIAL	COMMENTS:	
FINISH		
DO NOT SCALE DRAWING		

MENCOM CORPORATION		
TITLE: 17 PL M-F EXT CBL 18AWG		
SIZE	DWG. NO.	REV
B	MCV-17MFPX-ZZ-C010	B
SCALE: 1:1	WEIGHT:	SHEET 1 OF 1