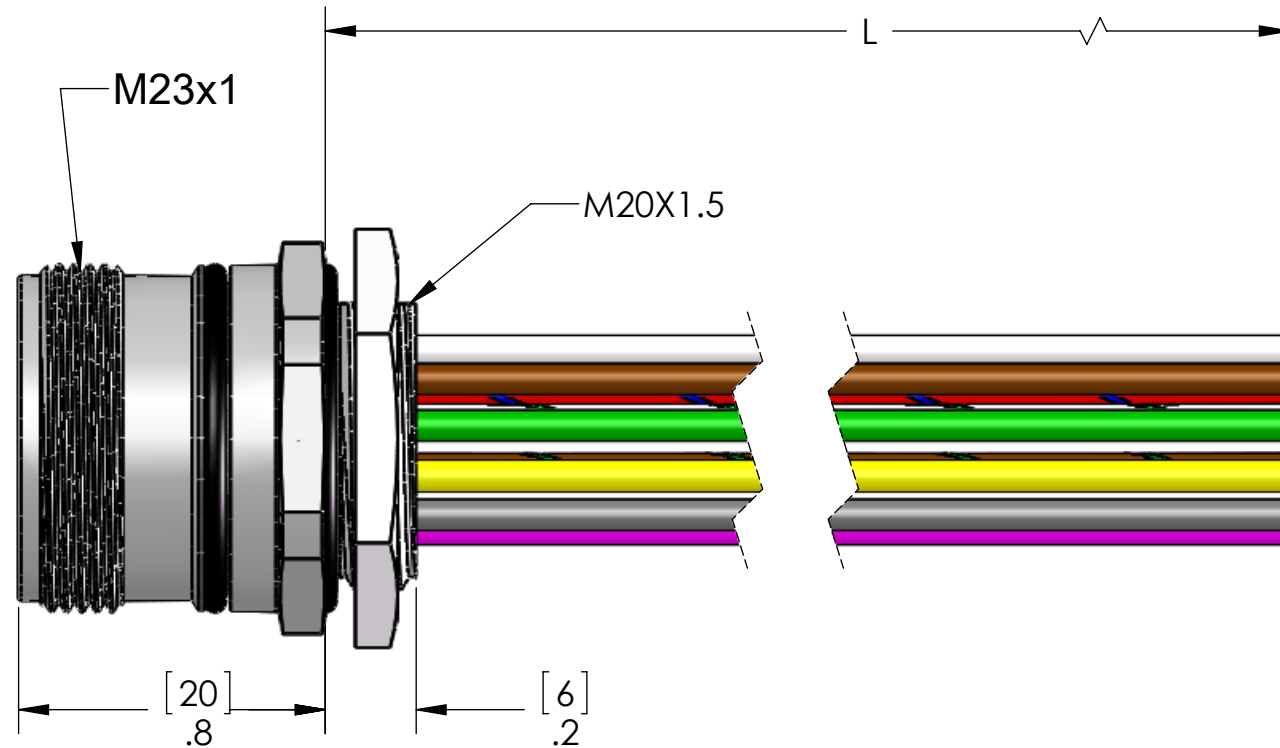
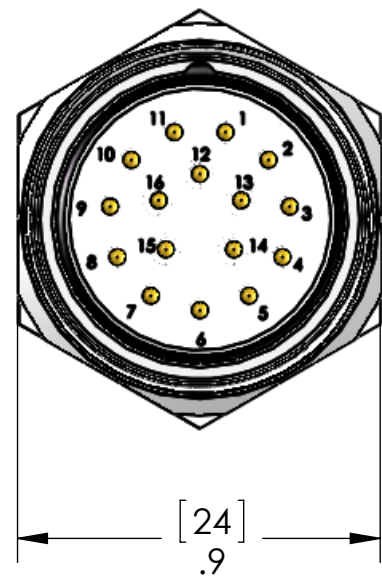
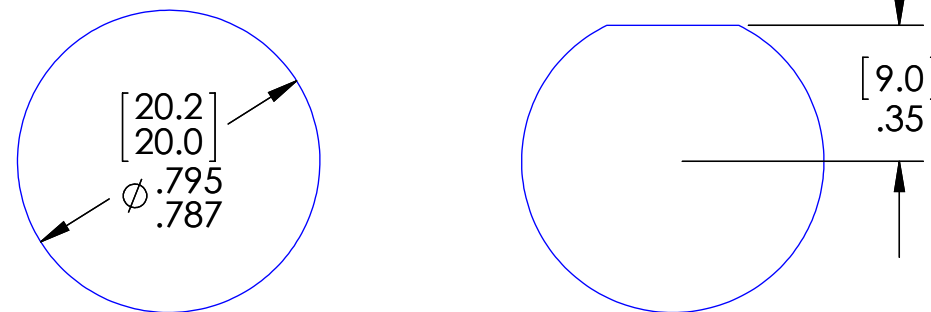


PIN #	COLOR	PIN #	COLOR
1	WHITE	9	BLACK
2	BROWN	10	VIOLET
3	GREEN	11	GRAY w/PINK
4	YELLOW	12	RED w/BLUE
5	GRAY	13	WHITE w/GREEN
6	PINK	14	BROWN w/GREEN
7	BLUE	15	WHITE w/YELLOW
8	RED	16	YELLOW w/BROWN

REVISIONS			
REV.	DESCRIPTION	DATE	APPROVED
A	DRAWN IN SW	3/23/2016	BEM
B	REVISED	6/23/2016	BEM
C	REVISED RATINGS	6/28/2016	JJH



Recommended Panel Cutouts



MATERIALS:	
SHELL:	NICKEL PLATED BRASS
INSERT:	PBT
CONTACTS:	GOLD PLATED COPPER ALLOY
LOCKNUT:	NICKEL PLATED BRASS
O-RINGS:	NBR
WIRE:	18AWG UL1007/1569

PROPRIETARY AND CONFIDENTIAL
 THE INFORMATION CONTAINED IN THIS DRAWING IS THE SOLE PROPERTY OF MENCOM CORPORATION. ANY REPRODUCTION IN PART OR AS A WHOLE WITHOUT THE WRITTEN PERMISSION OF MENCOM CORPORATION IS PROHIBITED.

VOLTS	150
AMPS	5A
TEMP	-40 TO 105C
APPLICATION	DO NOT SCALE DRAWING

UNLESS OTHERWISE SPECIFIED:
 DIMENSIONS ARE IN INCHES AND [MM]
 INTERPRET GEOMETRIC TOLERANCING PER:
 MATERIAL
 FINISH

NAME	
DRAWN	JJH
CHECKED	
ENG APPR.	
MFG APPR.	
Q.A.	
COMMENTS:	

P/N	L
MCV-16MR-0.3M-M20	12" [0.3m]
MCV-16MR-0.5M-M20	19" [0.5m]
MCV-16MR-1M-M20	40" [1m]
MCV-16MR-2M-M20	79" [2m]
MCV-16MR-3M-M20	118" [3m]
MCV-16MR-5M-M20	197" [5m]
MCV-16MR-10M-M20	393" [10m]

MENCOM CORPORATION		
TITLE: 16PL M23 MAL RCPT M20		
SIZE	DWG. NO.	REV
B	MCV-16MR-ZZ-M20	C
SCALE: 2:1	WEIGHT:	SHEET 1 OF 1