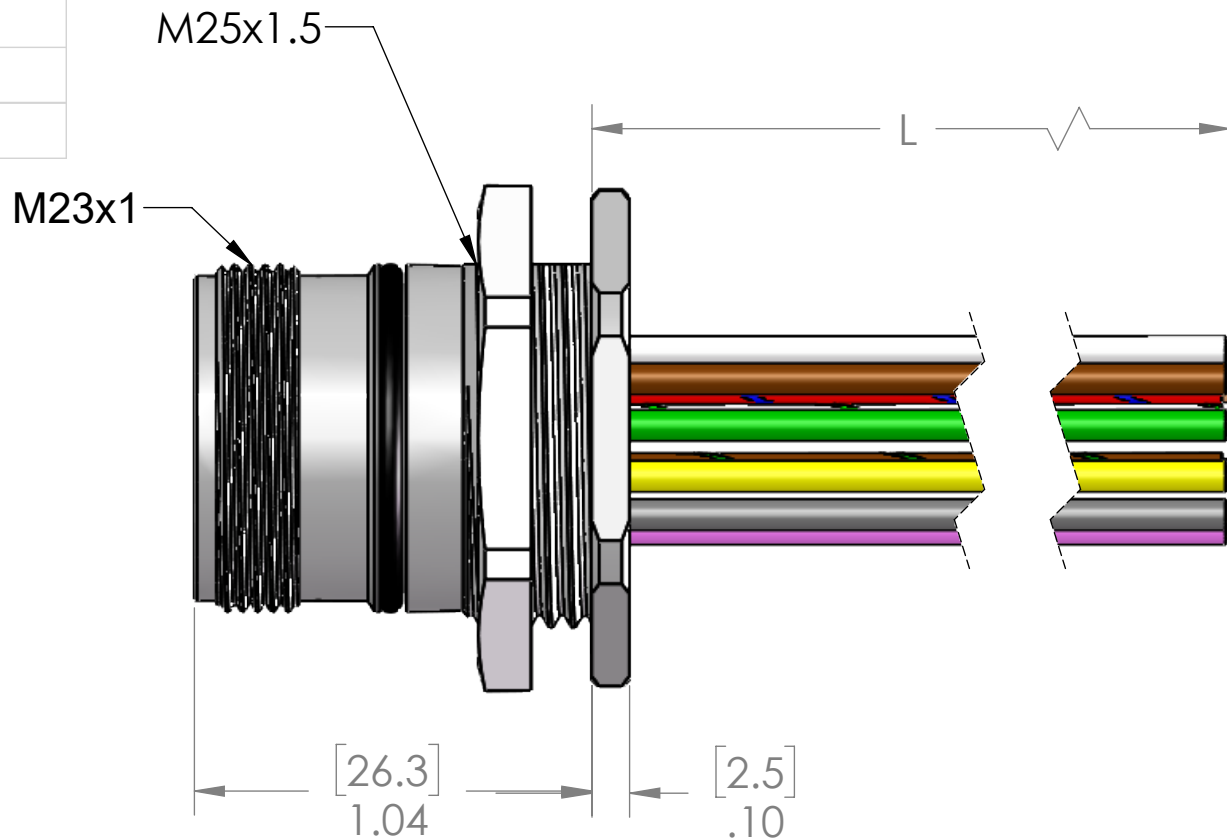
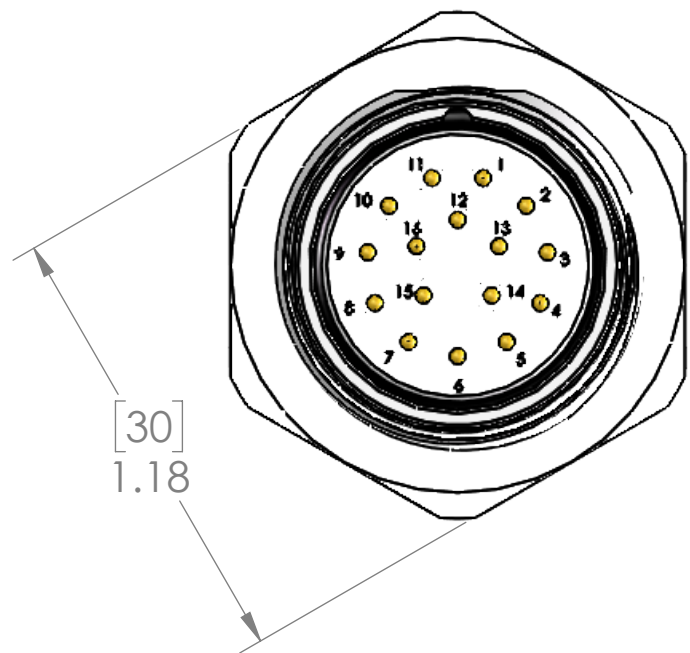
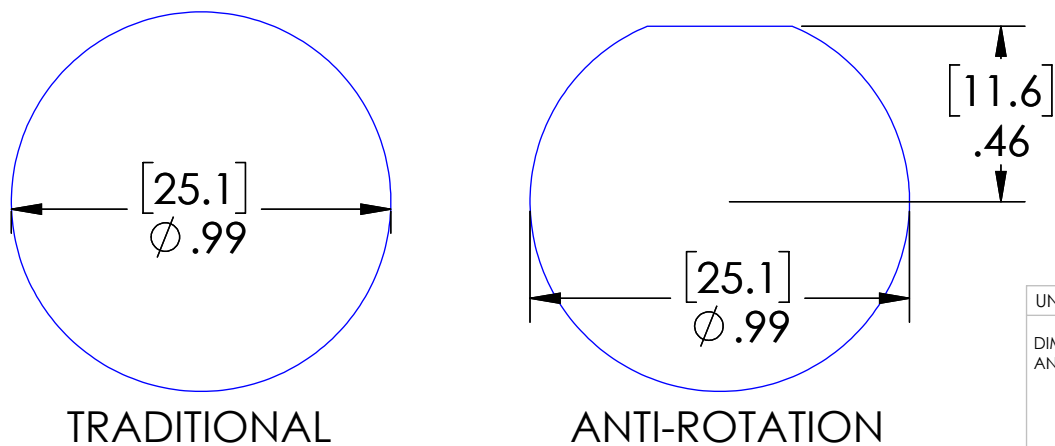


PIN #	COLOR	PIN #	COLOR
1	WHITE	9	BLACK
2	BROWN	10	VIOLET
3	GREEN	11	GRAY w/PINK
4	YELLOW	12	RED w/BLUE
5	GRAY	13	WHITE w/GREEN
6	PINK	14	BROWN w/GREEN
7	BLUE	15	WHITE w/YELLOW
8	RED	16	YELLOW w/BROWN



SUGGESTED CUT-OUTS



P/N	L
MCV-16MR-0.3M-BM	12" [0.3m]
MCV-16MR-0.5M-BM	20" [0.5m]
MCV-16MR-0.6M-BM	24" [0,6m]
MCV-16MR-1M-BM	40" [1m]
MCV-16MR-2M-BM	79" [2m]
MCV-16MR-3M-BM	118" [3m]
MCV-16MR-5M-BM	197" [5m]

OTHER LENGTHS AVAILABLE
PLEASE CONSULT FACTORY

MATERIALS:	
SHELL:	NICKEL PLATED BRASS
INSERT:	PBT
CONTACTS:	GOLD PLATED COPPER ALLOY
LOCKNUT:	NICKEL PLATED BRASS
O-RINGS:	NBR
WIRE:	18AWG UL1007/1569

PROPRIETARY AND CONFIDENTIAL
THE INFORMATION CONTAINED IN THIS DRAWING IS THE SOLE PROPERTY OF MENCOM CORPORATION. ANY REPRODUCTION IN PART OR AS A WHOLE WITHOUT THE WRITTEN PERMISSION OF MENCOM CORPORATION IS PROHIBITED.

VOLTS	150V
AMPS	5A
TEMP:	105°C

UNLESS OTHERWISE SPECIFIED:	DRAWN BY	GO
DIMENSIONS ARE IN INCHES AND [MM]	DRAWN DATE	11/20/2020
	CHECKED BY	JJH
	CHECK DATE	11/20/2020
MATERIAL	COMMENTS:	
FINISH		
DO NOT SCALE DRAWING		

MENCOM CORPORATION		
TITLE: 16PL M23 BK MNT FEM RCPT		
SIZE	DWG. NO.	REV
B	MCV-16MR-ZZ-BM	A
SCALE: 2:1	WEIGHT:	SHEET 1 OF 1